

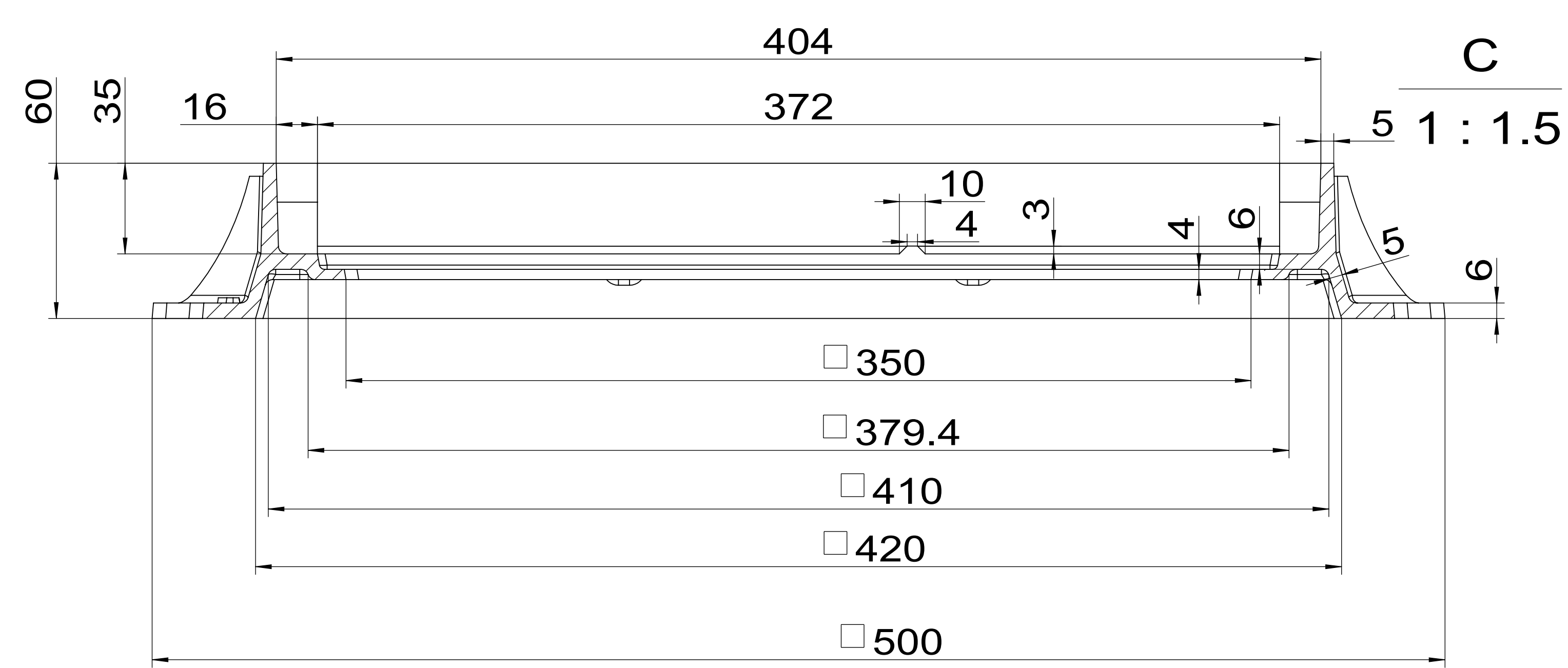
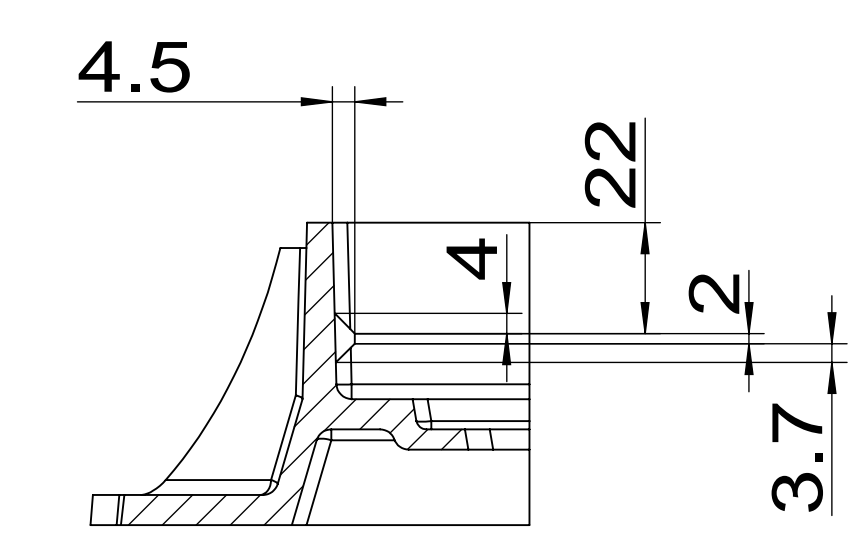
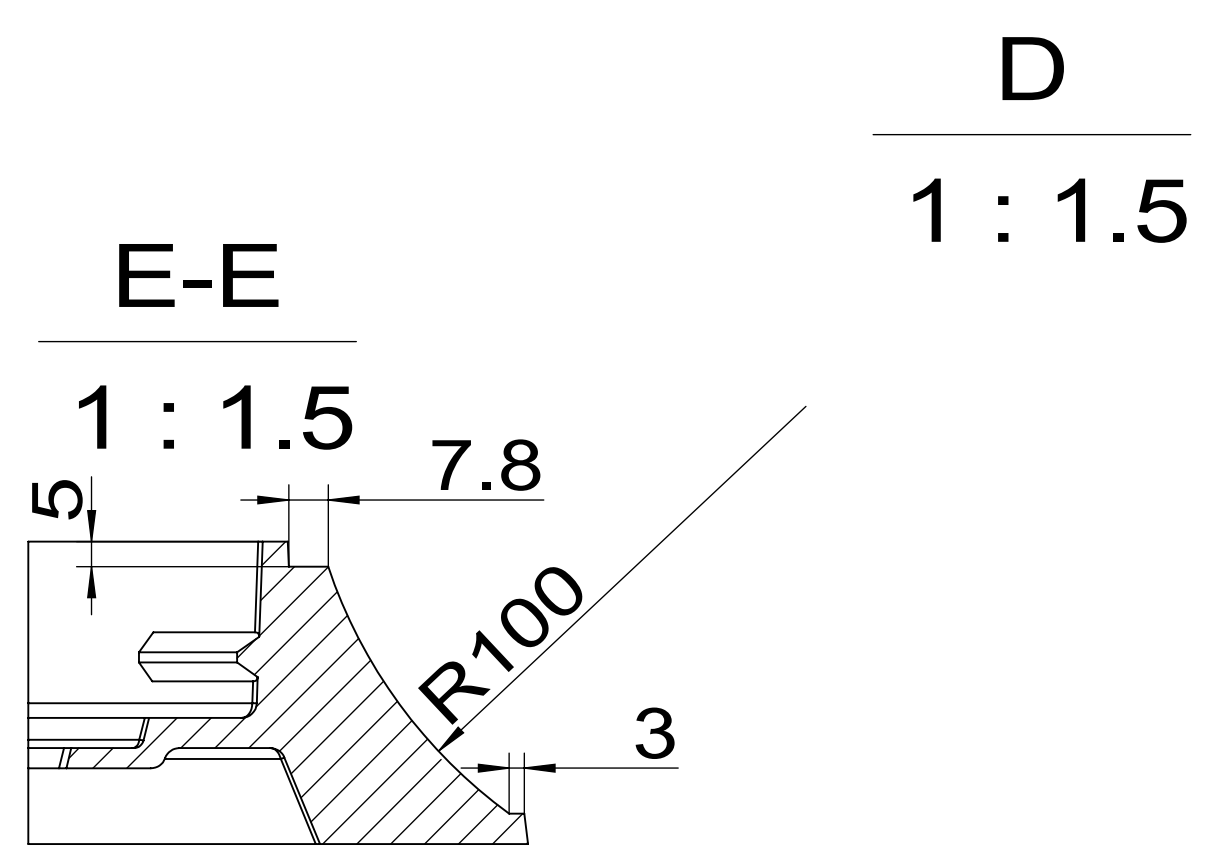
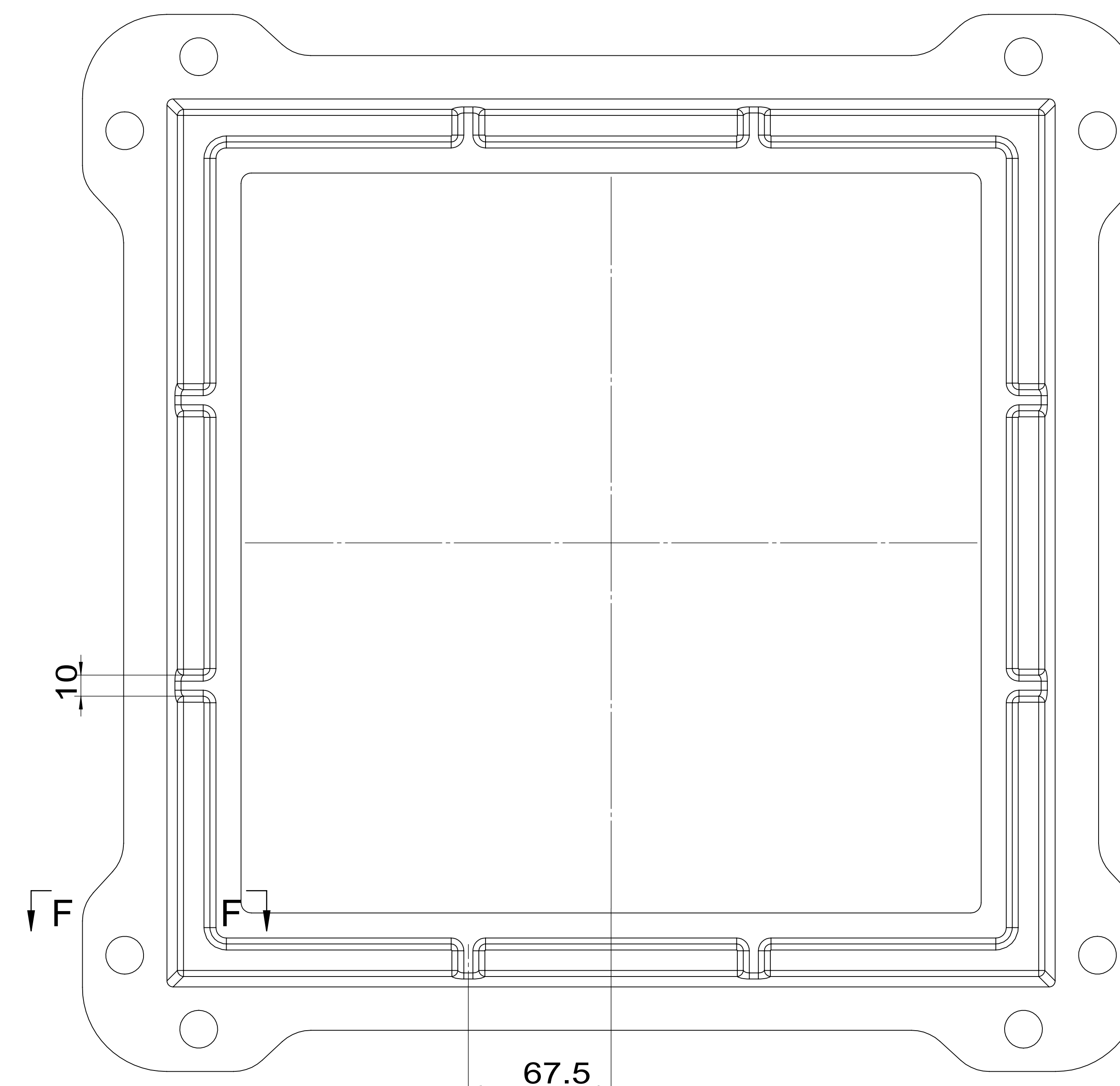
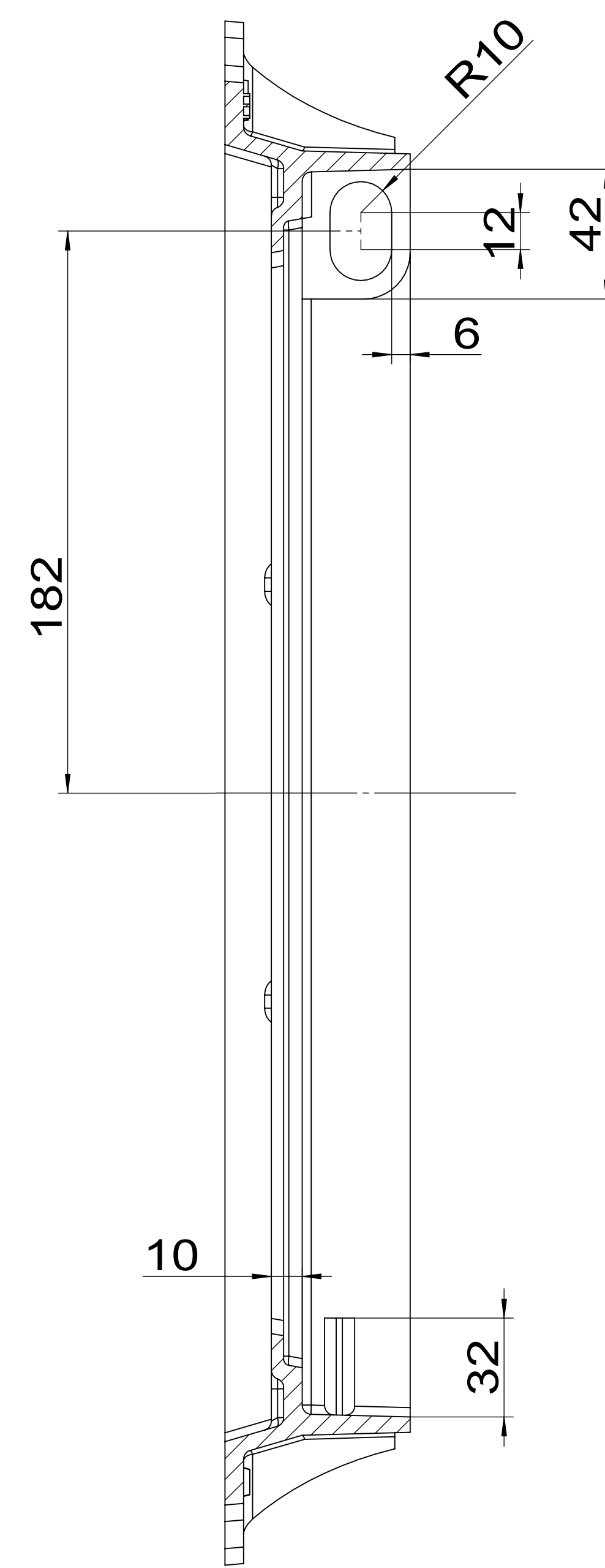
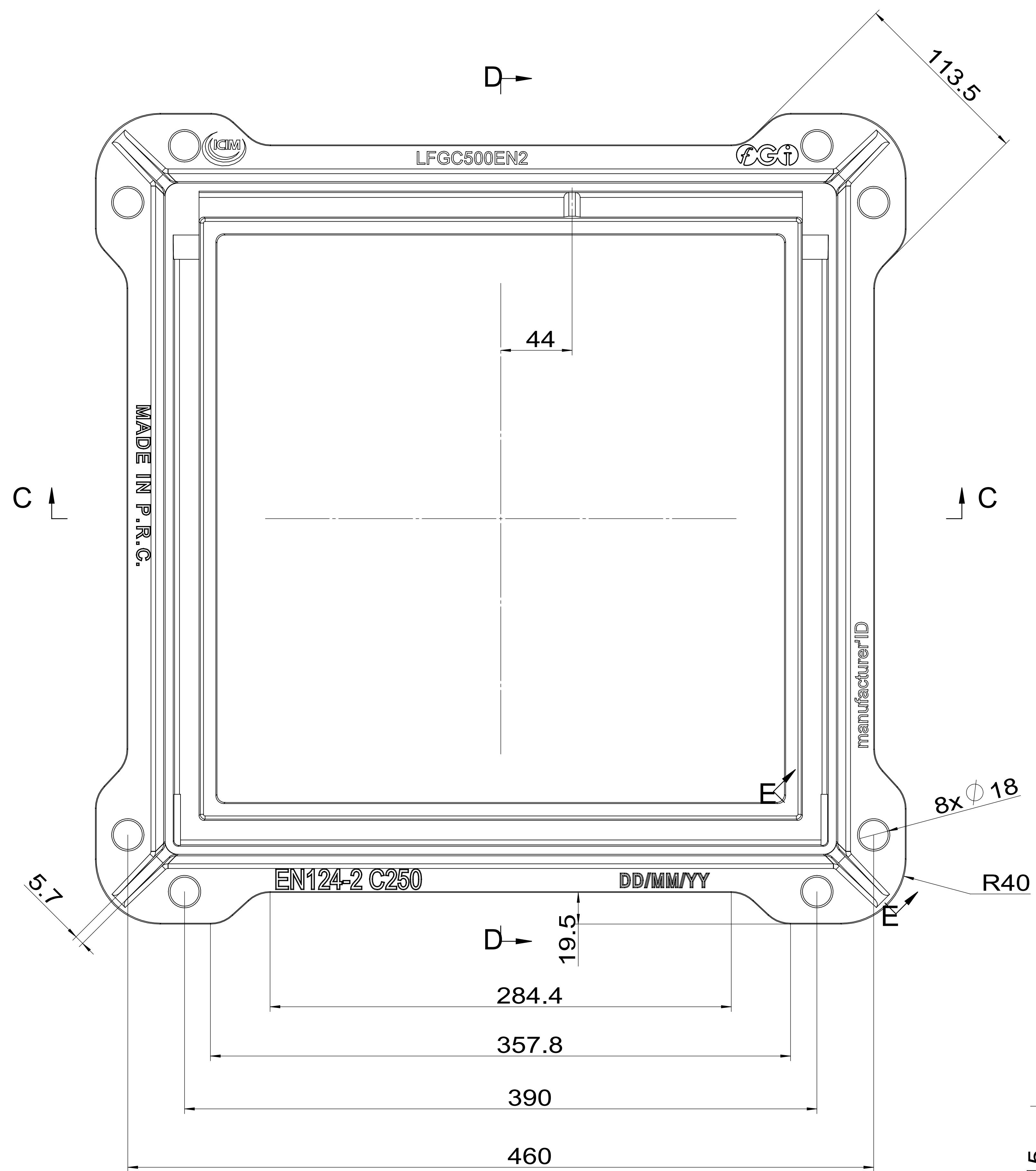
A  
1 : 1.5


**Technical requirement**

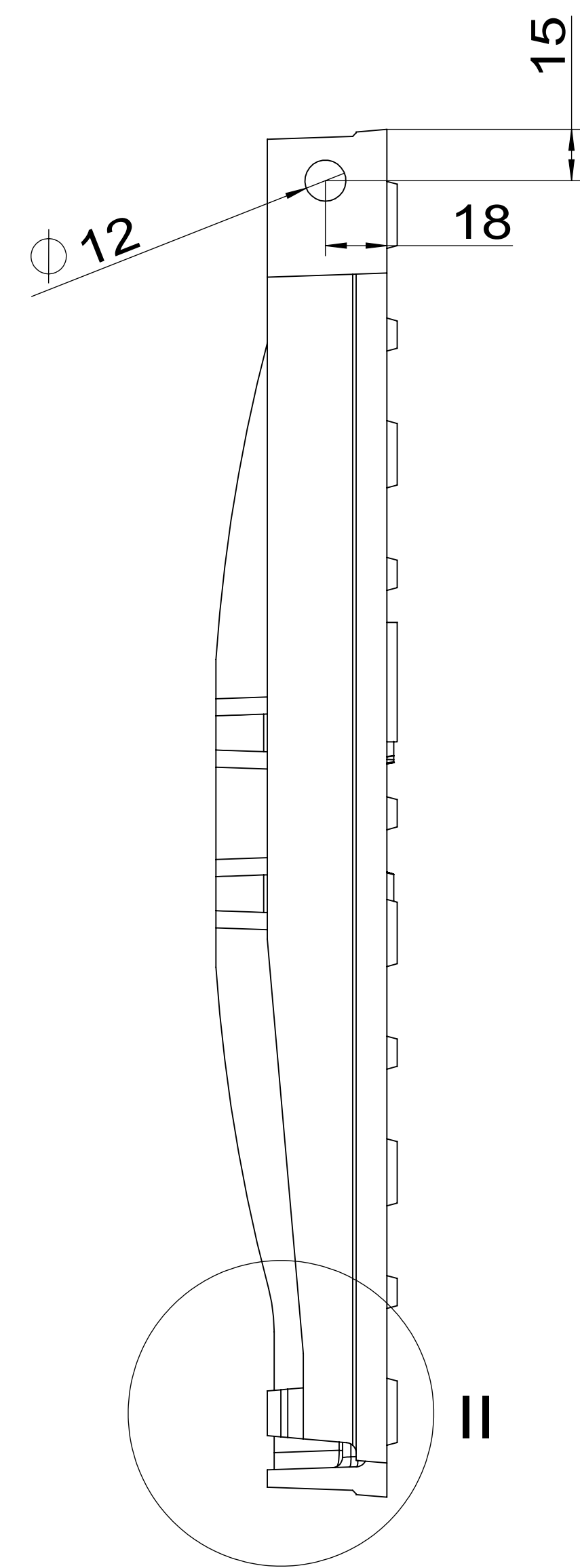
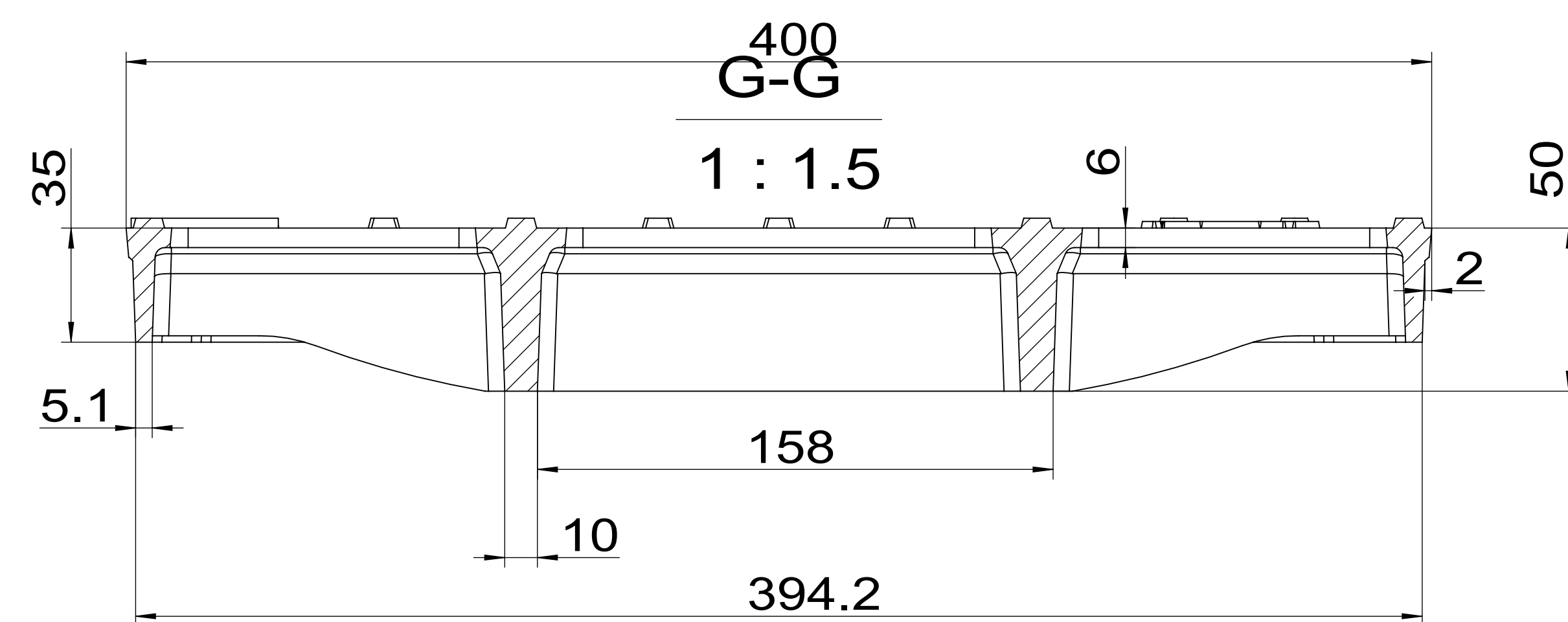
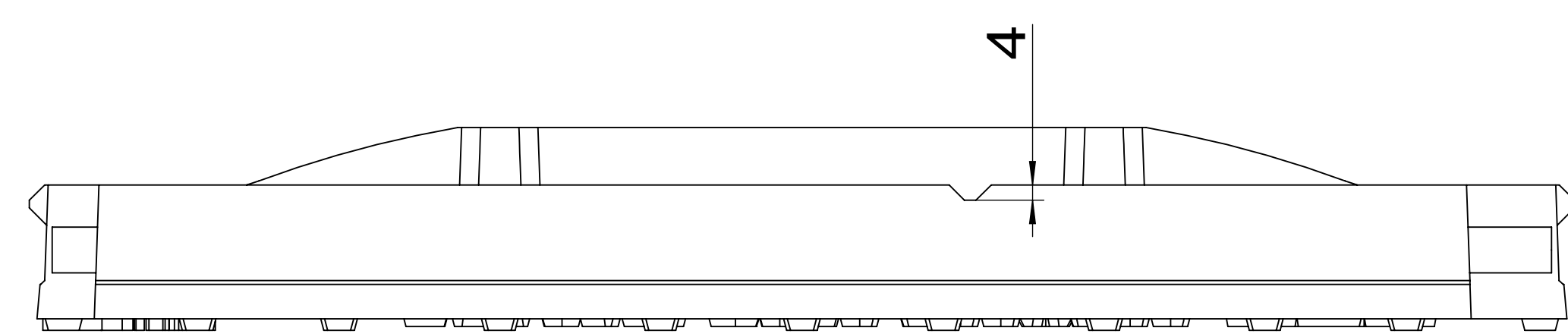
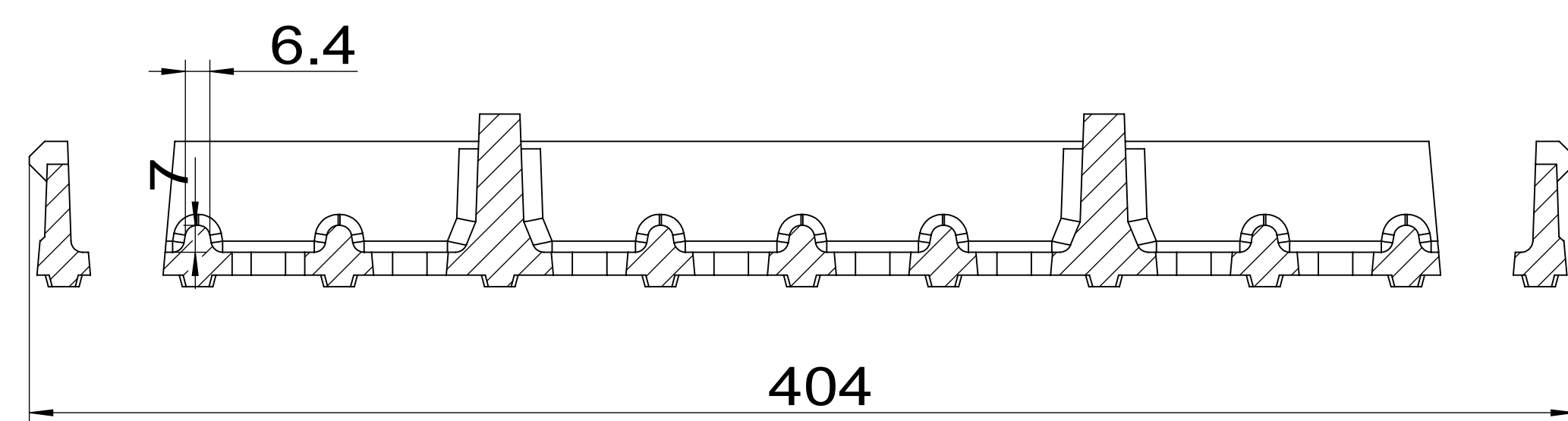
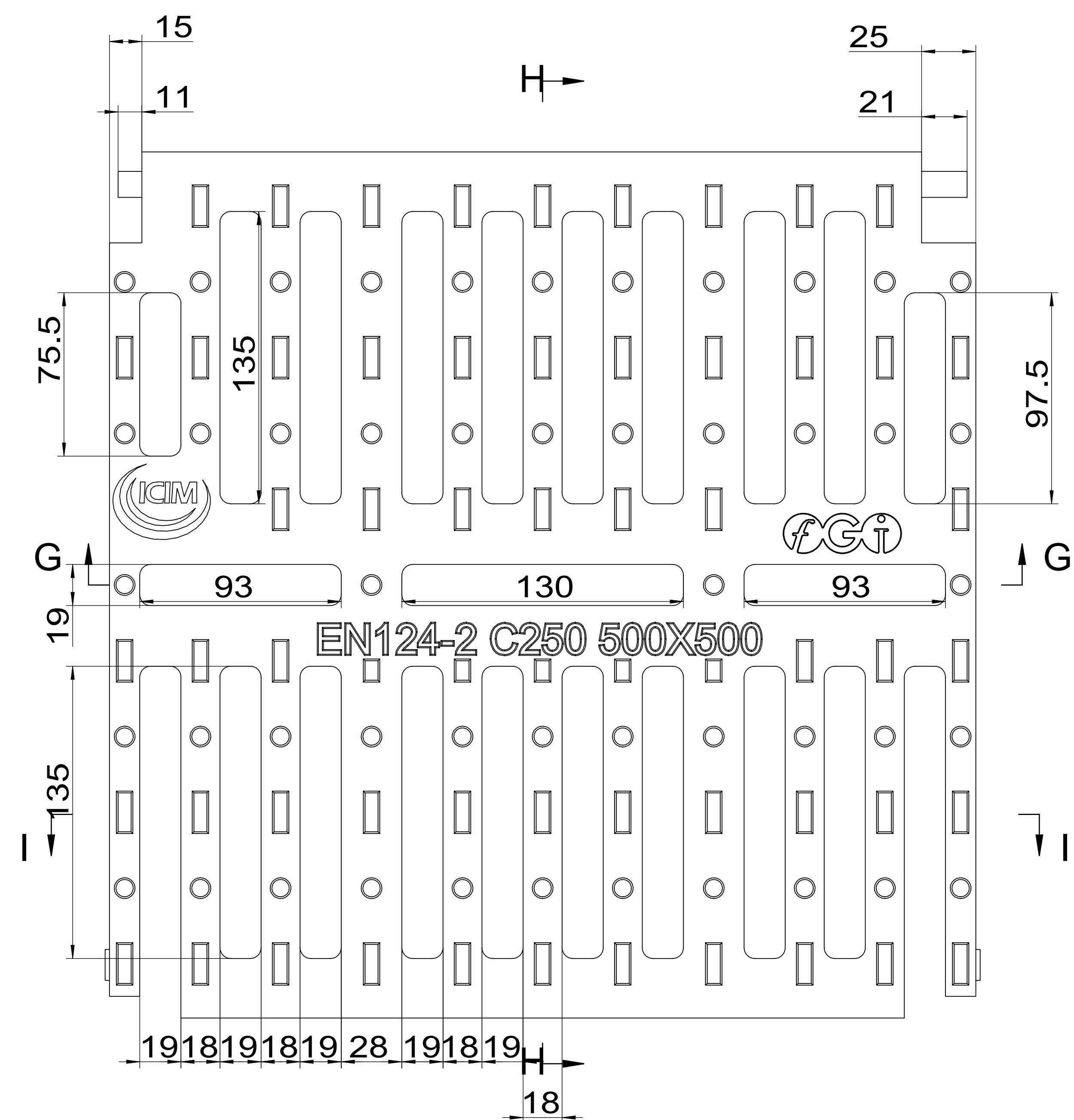
- 1、 pattern draft is 1-2° of main beams ,cover ,grids, frame side.
- 2、 pattern draft is 5-10° of assistive beams ,grid holes ,outside.
- 3、 pattern draft is 15° of surface patterns ,mark, logo.
- 4、 casting radius which aren't been marked is R1-R3.

General Dimension Tolerance According To ISO 8062-CT10	General Weight Tolerance Tolerance(%) ±5%
---	---

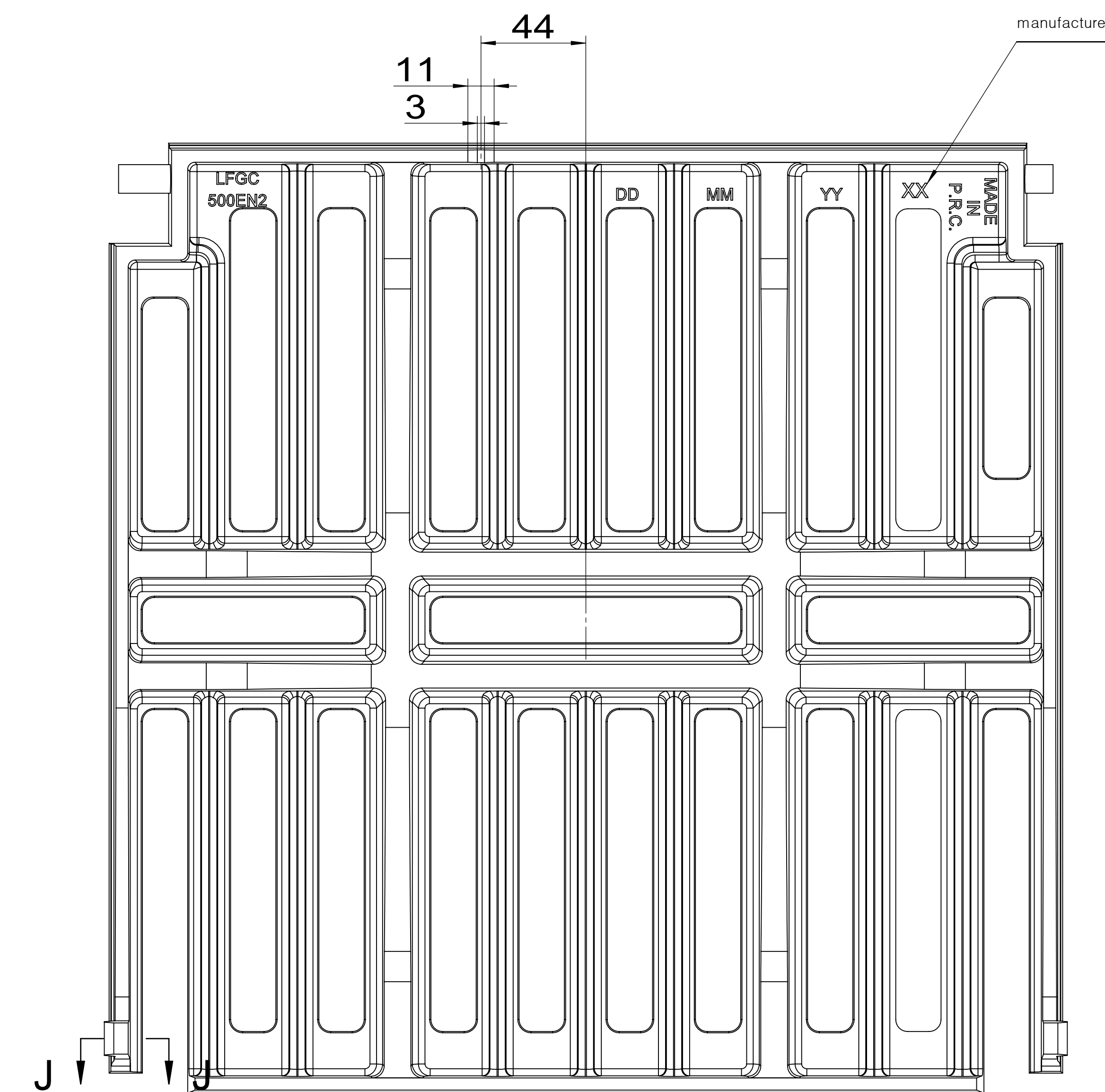
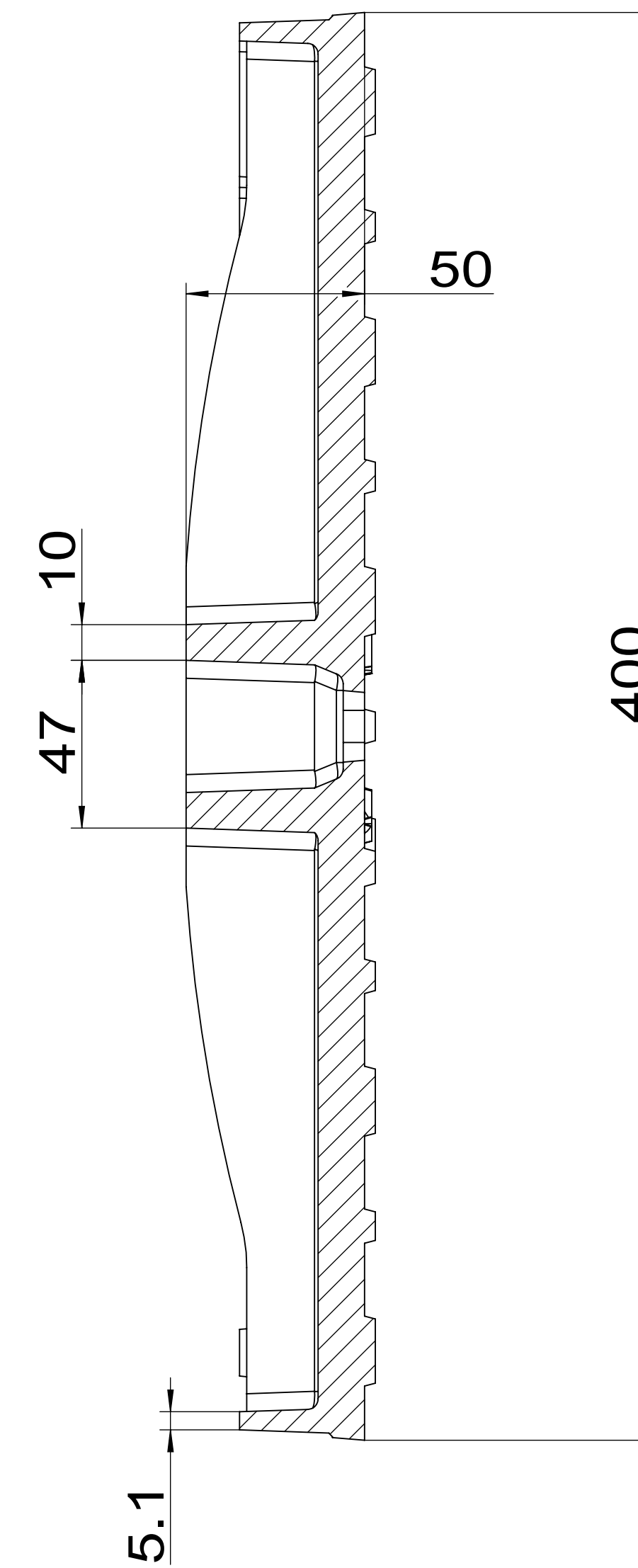
MATERIAL	GJS500-7	WEIGHT/kg	20	CLASS	EN124-2 C250	SCALE	MARK:
						SIZE	CERTIFICATE NO. /
						500x500x60	PRODUCT CODE
						NAME	L-GSGEN-250FL
						ITEM CODE	
						DESIGN DATE	2017/6/26



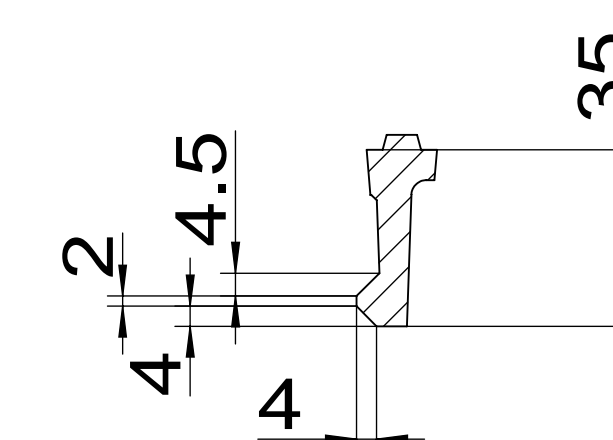
MATERIAL	GJS500-7	WEIGHT/kg	7.8	CLASS	EN124-2 C250	SCALE	MARK:
						SIZE	CERTIFICATE NO. /
						500x500x60	PRODUCT CODE
						NAME	
		OBLIKUJEMO VODNE CESTE		ITEM CODE	L-GSGEN-250FL		
		DESIGN DATE		2017/6/26	EDITION	0	SHEET
							2/3




H-H  
1 : 1.5



J-J  
1 : 1.5



MATERIAL	GJS500-7	WEIGHT/kg	12.2	CLASS	EN124-2 C250	SCALE	MARK:
						SIZE	CERTIFICATE NO. /
						496x496x40	PRODUCT CODE
						NAME	L-GSGEN-250FL
				ITEM CODE			
				DESIGN DATE	2017/6/26		
				EDITION	0	SHEET	3/3