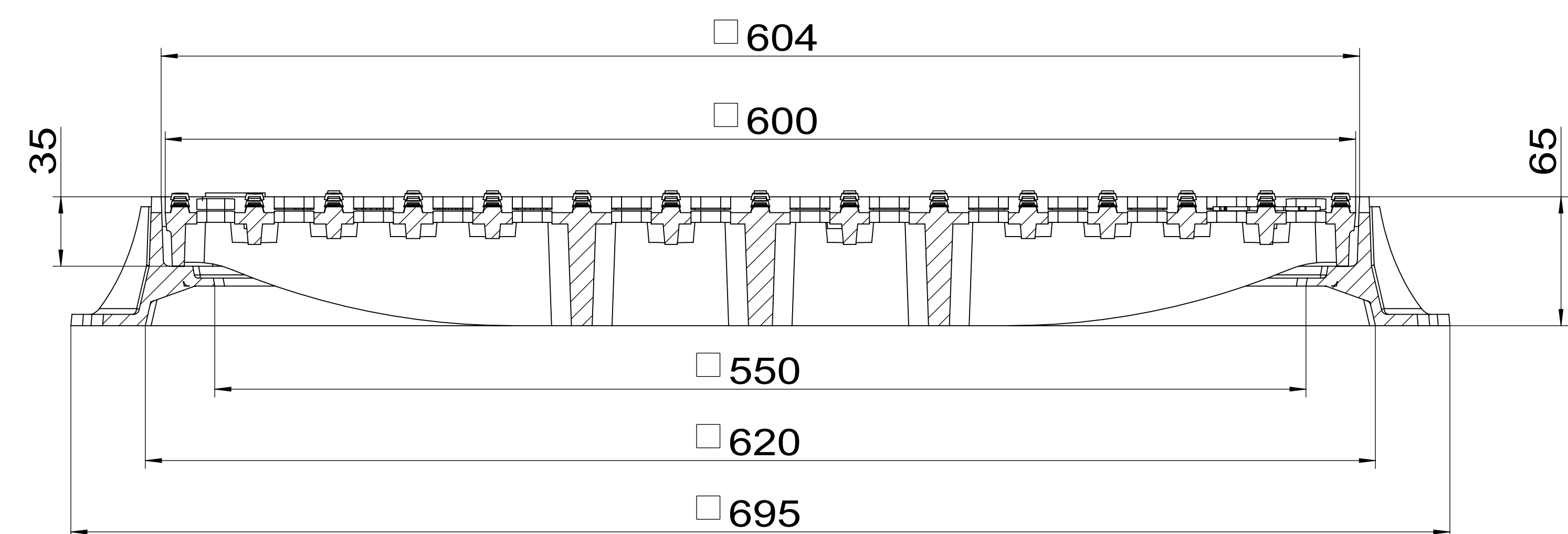
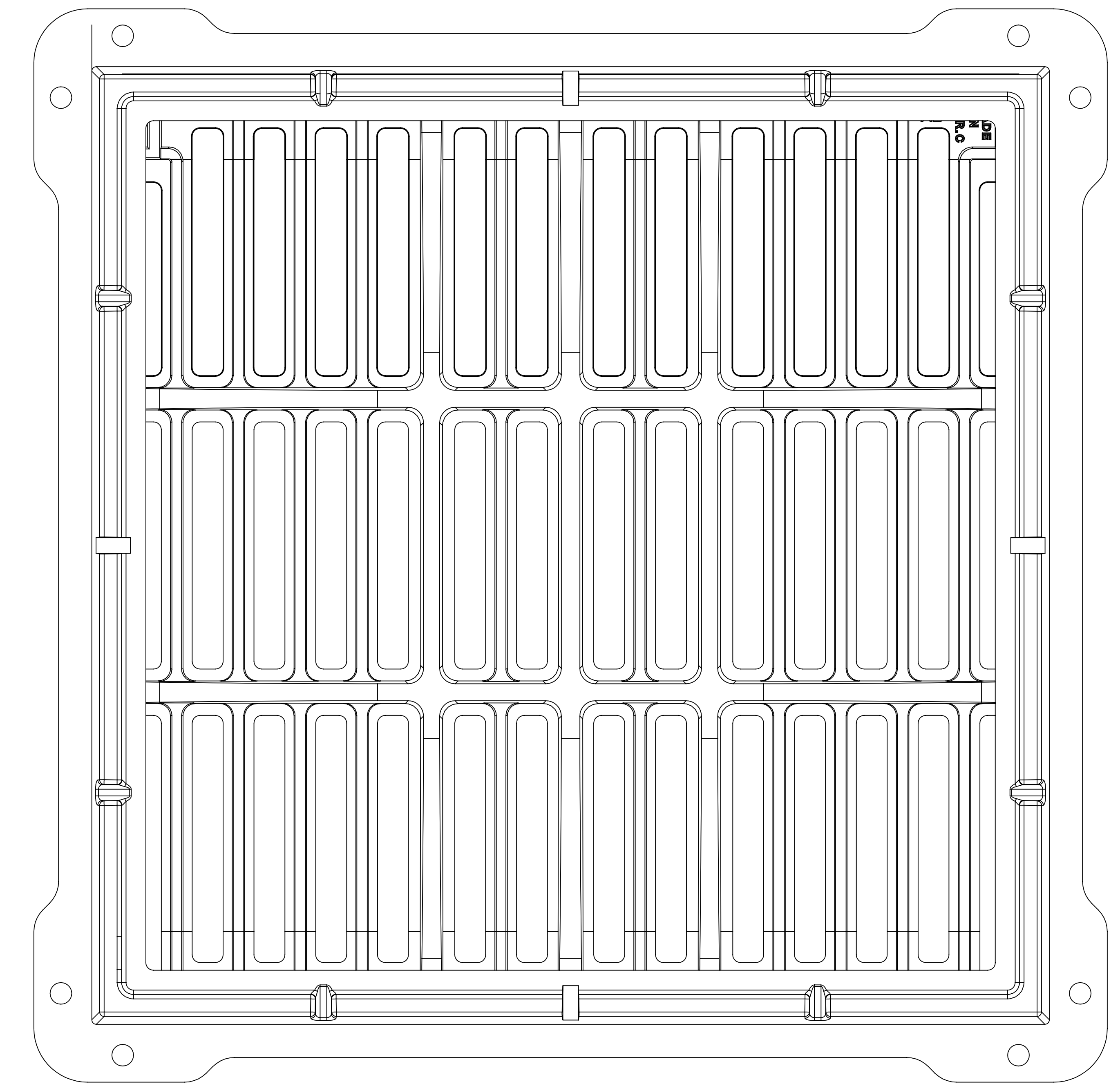
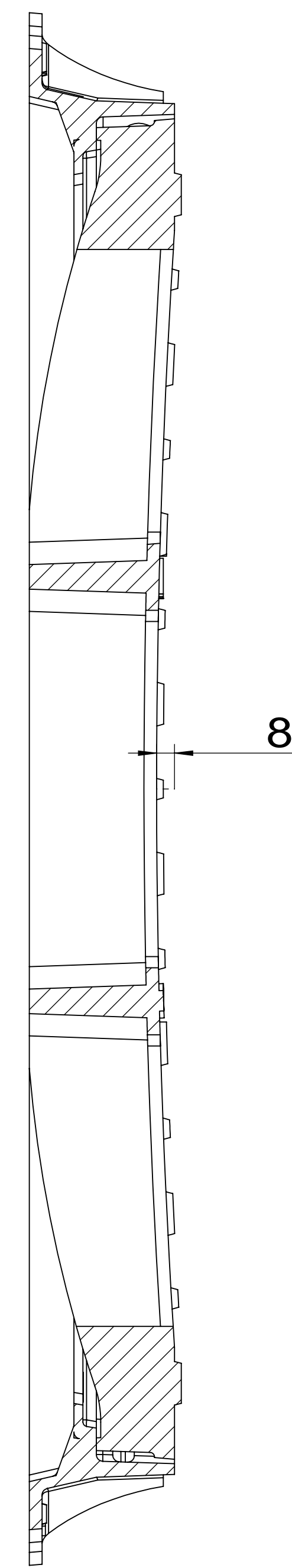


B-B
1 : 2



A-A
1 : 2

Technical requirement

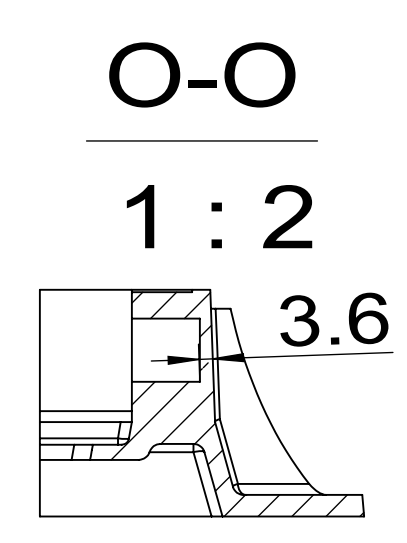
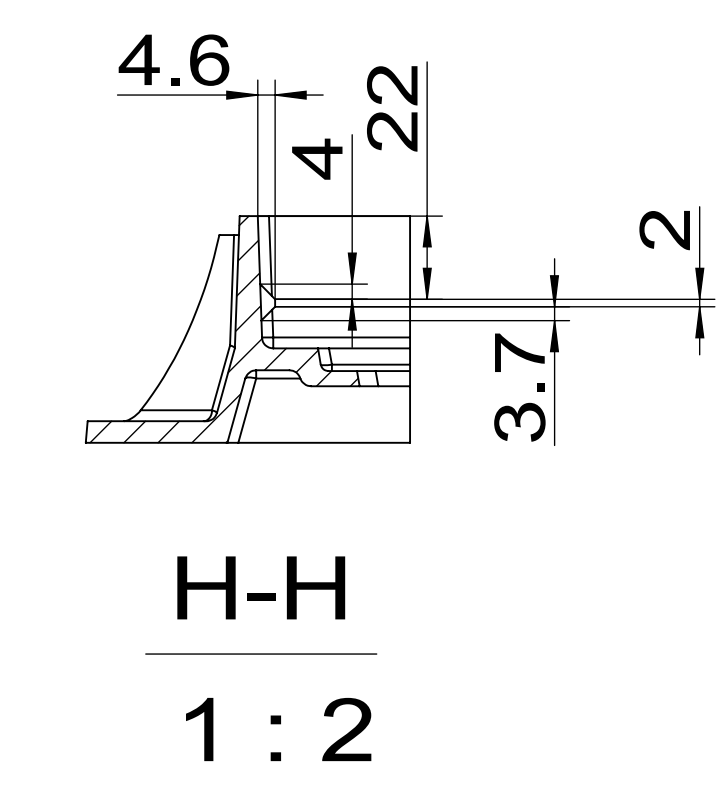
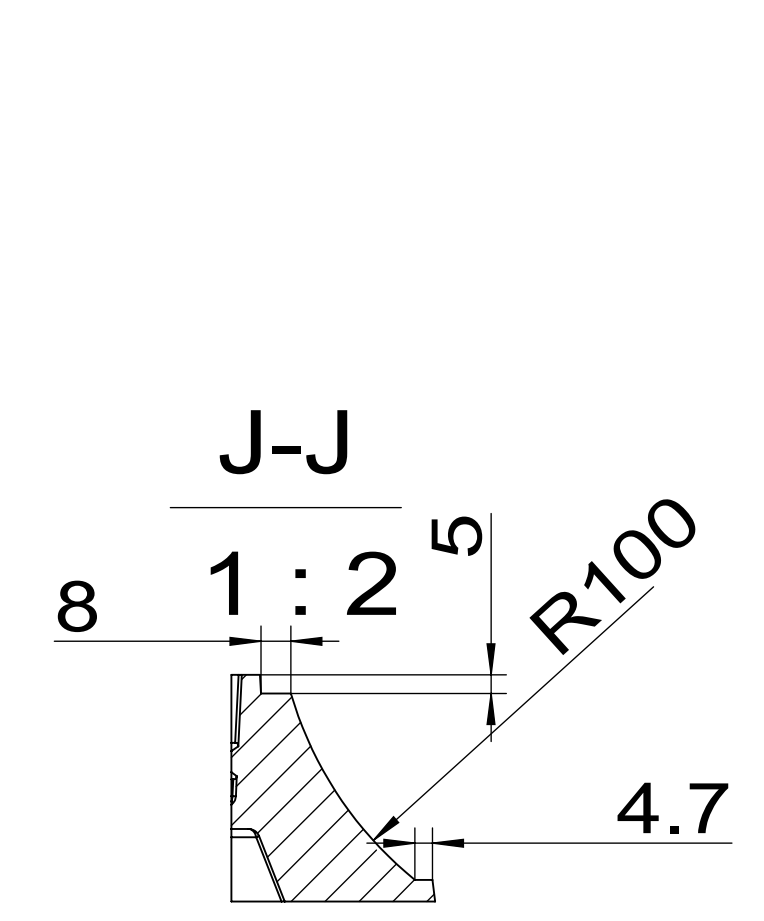
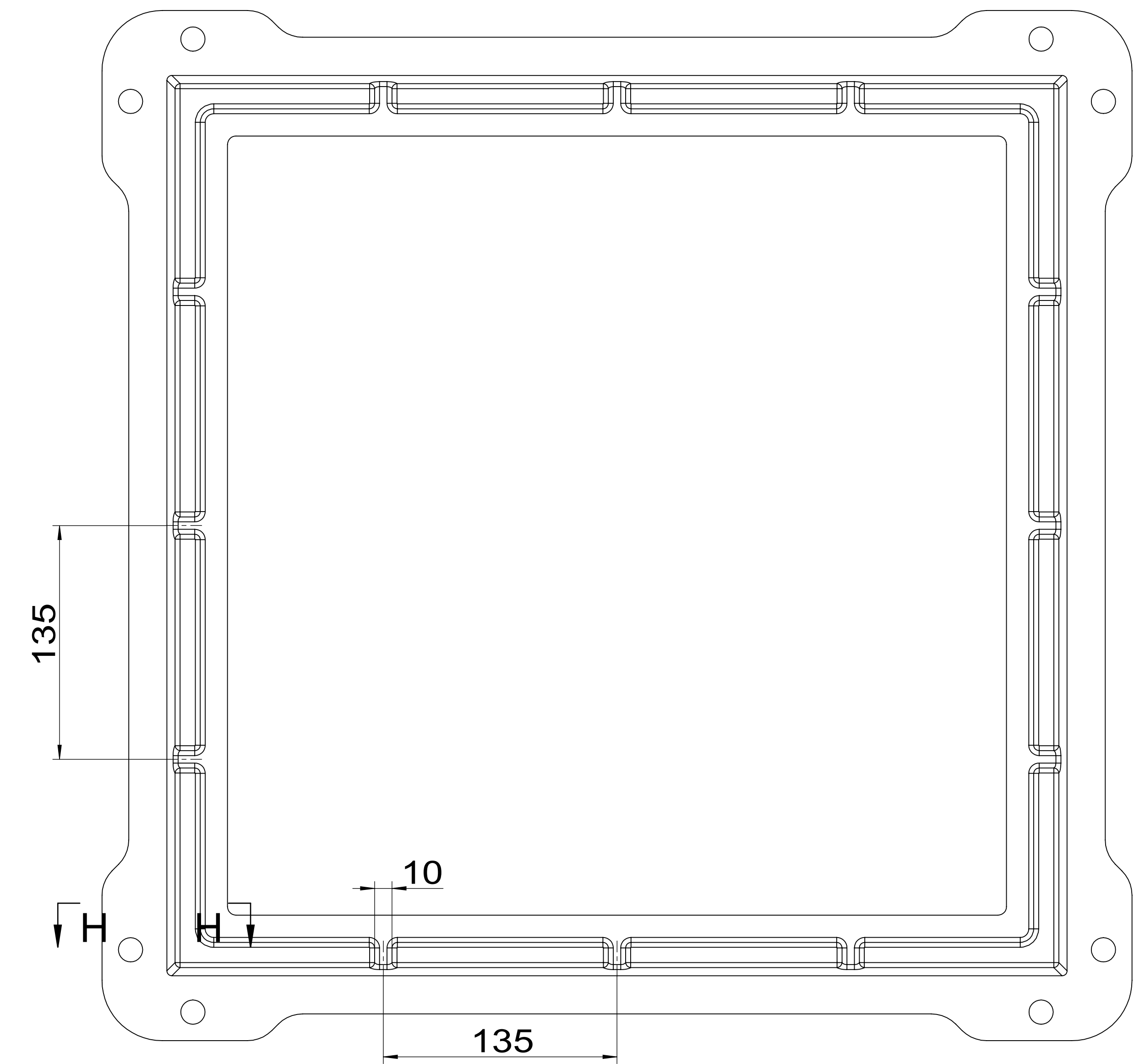
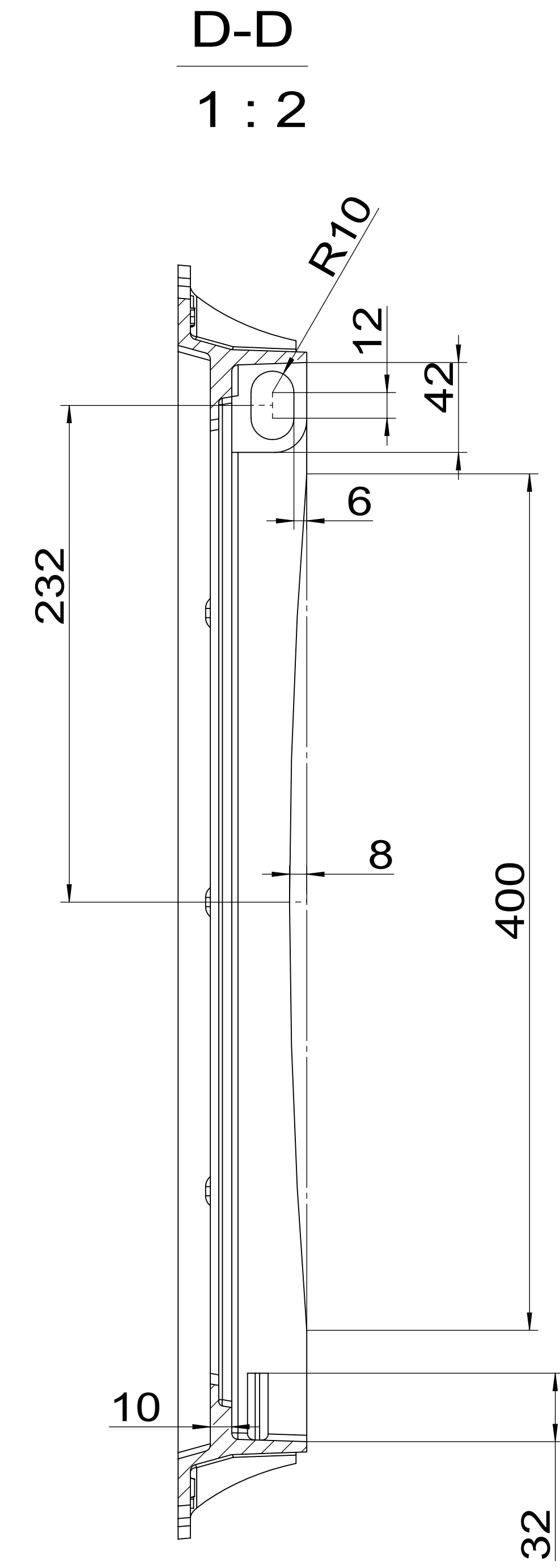
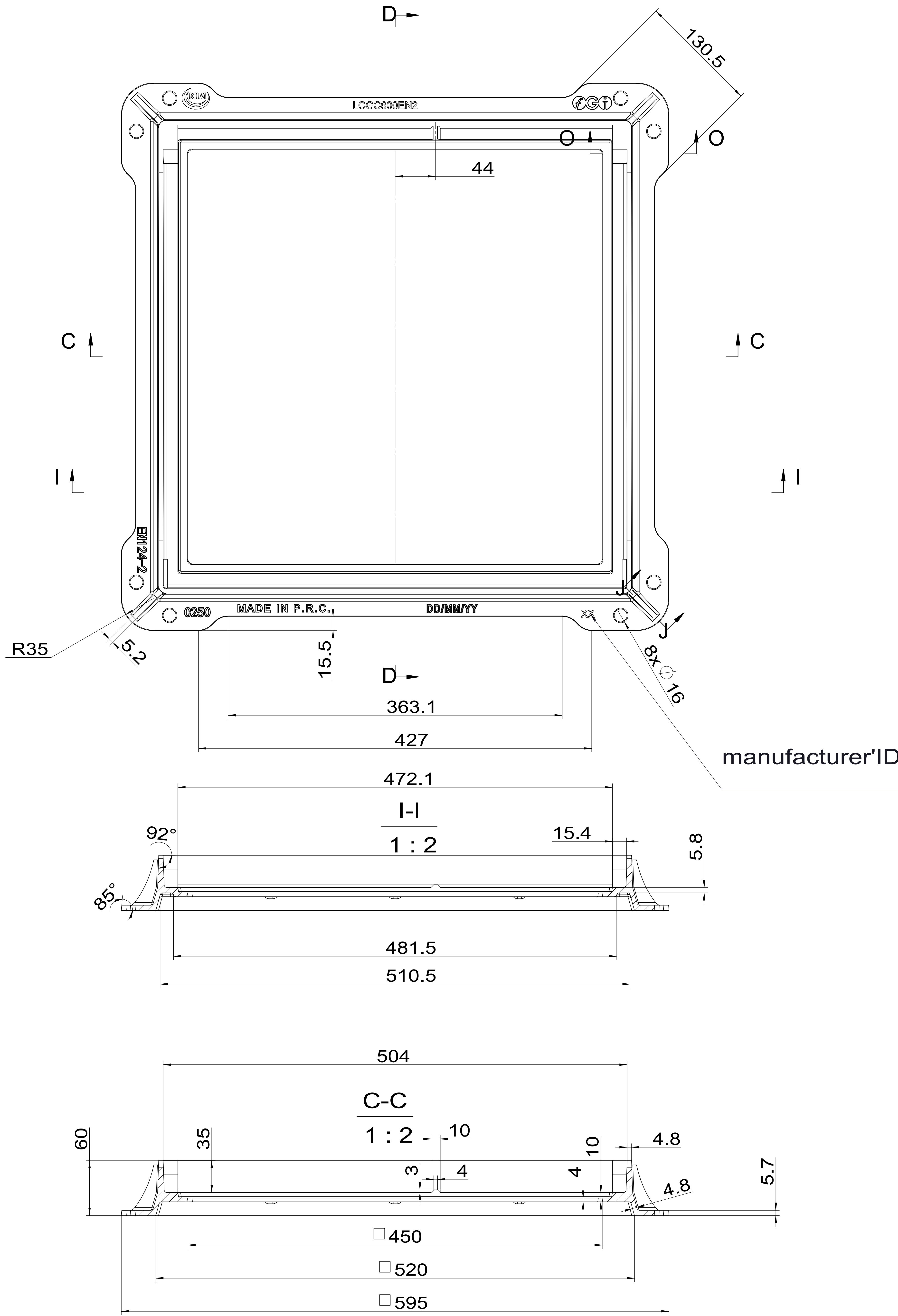
- 1、 pattern draft is 1-2° of main beams ,cover ,grids, frame side.
- 2、 pattern draft is 5-10° of assistive beams ,gird holes ,outside.
- 3、 pattern draft is 15° of surface patterns ,mark, logo.
- 4、 casting radius which aren't been marked is R1-R3.

General Dimension Tolerance
According To ISO 8062-CT10

General Weight Tolerance
Tolerance(%)
±5%

MATERIAL	GJS500-7	WEIGHT	38.3 kg	CLASS	EN124-2 C250	SCALE	MARK:
						SIZE	CERTIFICATE NO. /
						695X695X65	PRODUCT CODE
						NAME	L-GSGEN-270CL
						ITEM CODE	
						DESIGN DATE	EDITION
						2017/6/26	0
							SHEET
							1/3





MATERIAL	GJS500-7	WEIGHT	9.6kg	CLASS	EN124-2 C250	SCALE	MARK:
						SIZE	CERTIFICATE NO. /
						595x595x60	PRODUCT CODE
						NAME	
						ITEM CODE	L-GSGEN-260CL
						DESIGN DATE	EDITION
						2017/6/26	0
							SHEET
							1/3



