
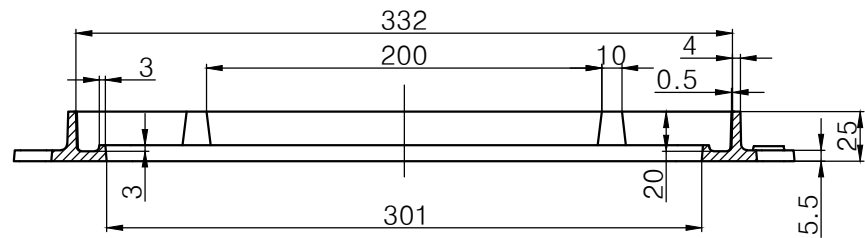
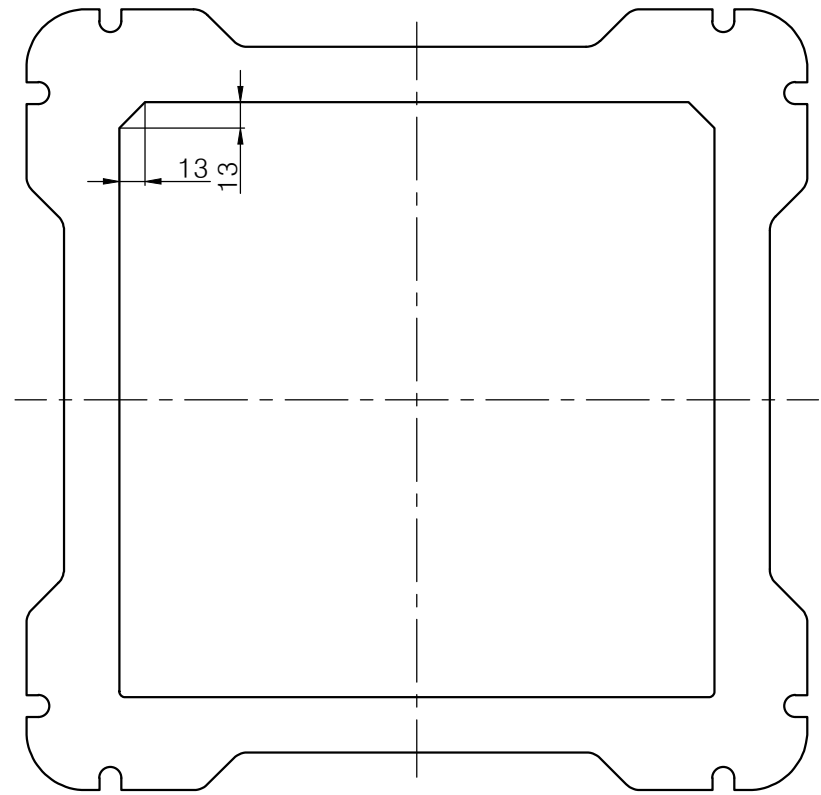
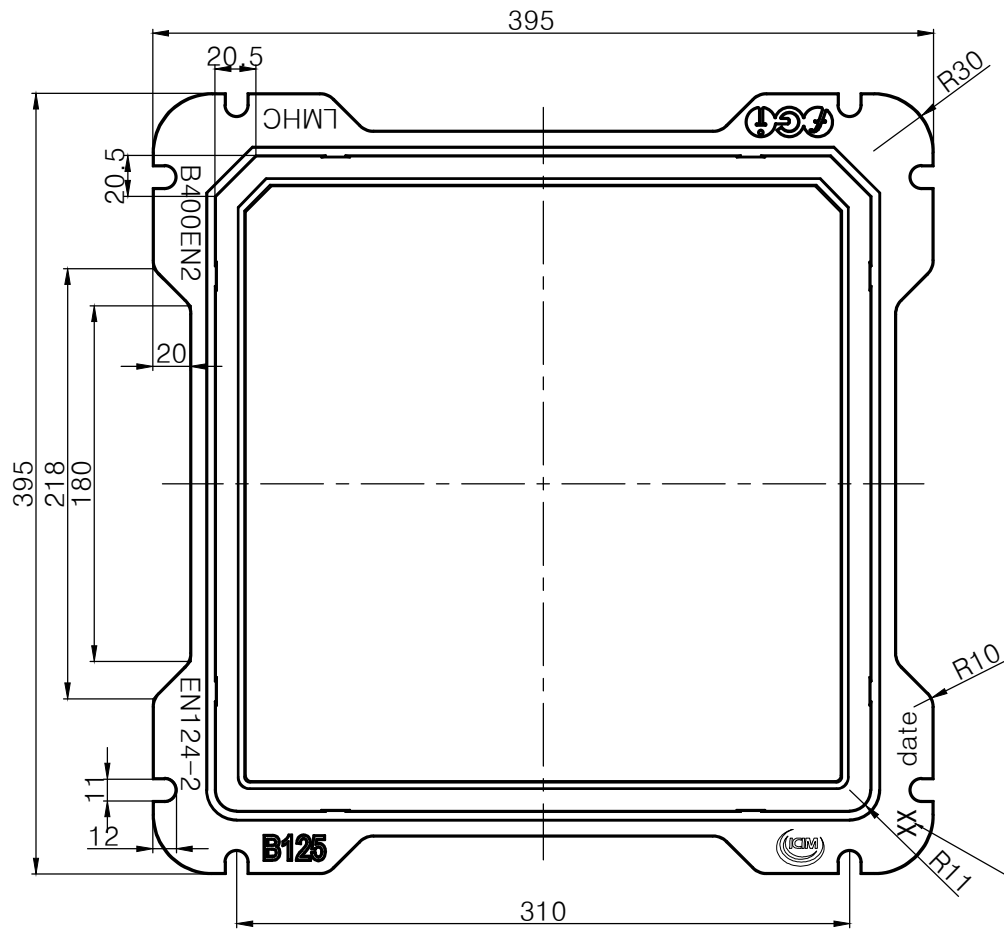


Technical requirement


- 1' pattern draft is 1-2° of main beams ,cover ,grids, frame side.
- 2' pattern draft is 5-10° of assistive beams ,gird holes ,outside.
- 3' pattern draft is 15° of surface patterns ,mark, logo.
- 4' casting radius which aren't been marked is R1-R3.

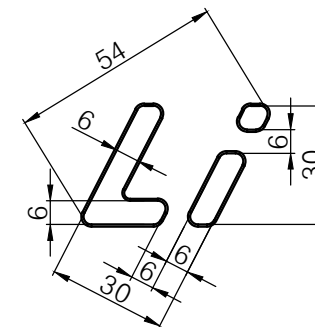
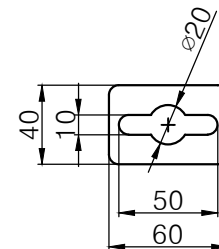
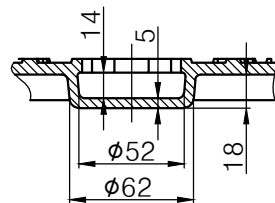
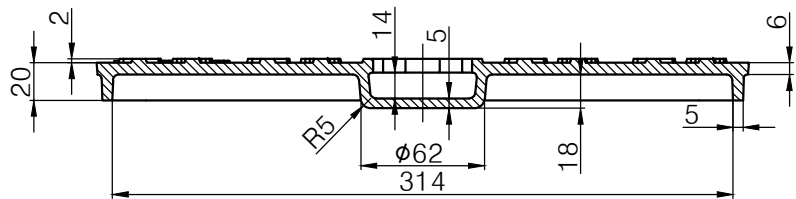
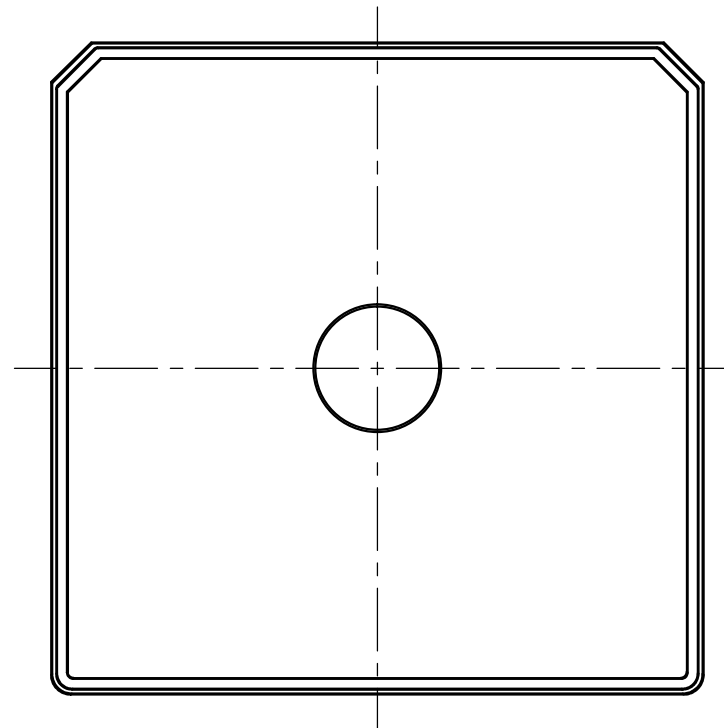
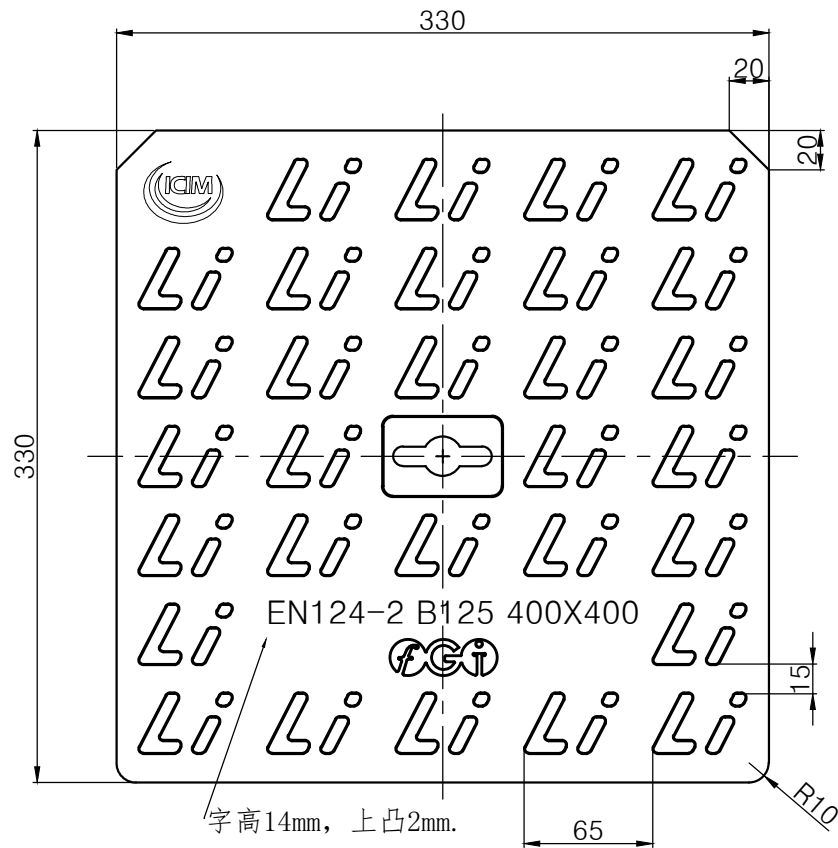
General Dimension Tolerance	General Weight Tolerance
According To ISO 8062-CT10	Tolerance(%)
	±5%



MATERIAL	GJS500-7	WEIGHT	8.5kg	CLASS	EN124-2 B125	SCALE	MARK:
						SIZE	ICIM
						395x395x25	CERTIFICATE NO. /
							PRODUCT CODE
						NAME	L-LGSMEN-140L
						ITEM CODE	
						EDITION	0
						SHEET	1/3



manufacturer ' ID

MATERIAL	GJS500-7	WEIGHT	2.6kg	CLASS	EN124-2 B125	SCALE	MARK:
						SIZE	ICIM
						395×395×25	CERTIFICATE NO. /
							PRODUCT CODE
						NAME	L-LGSMEN-140L
						ITEM CODE	
						EDITION	SHEET
						0	2/3



MATERIAL	GJS500-7	WEIGHT	5.9kg	CLASS	EN124-2 B125	SCALE	MARK:	
						SIZE	ICIM	
						395×395×25	CERTIFICATE NO. /	
						NAME	PRODUCT CODE	
				ITEM CODE	L-LGSMEN-140L			
					EDITION	0	SHEET	3/3