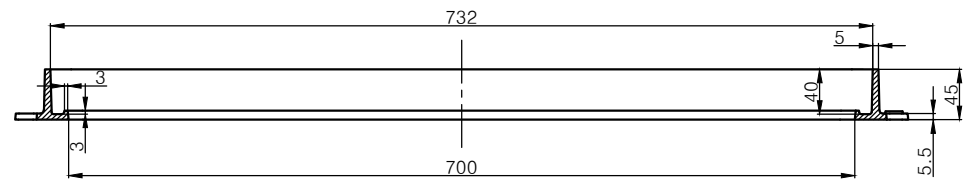
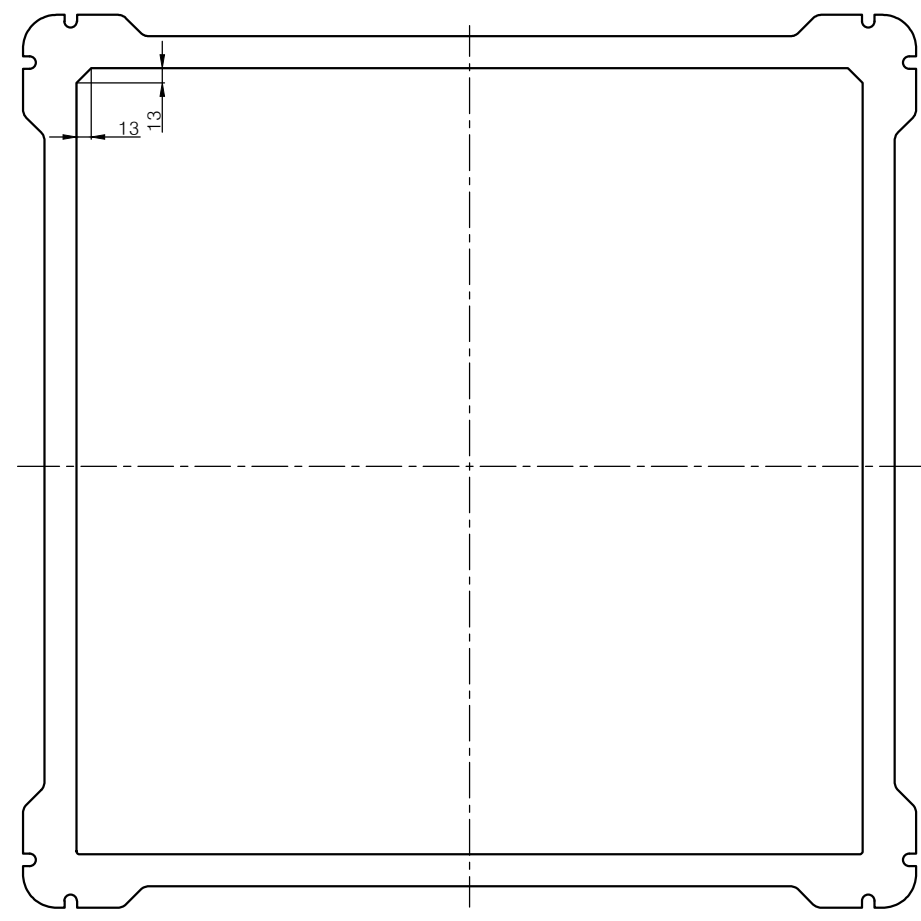
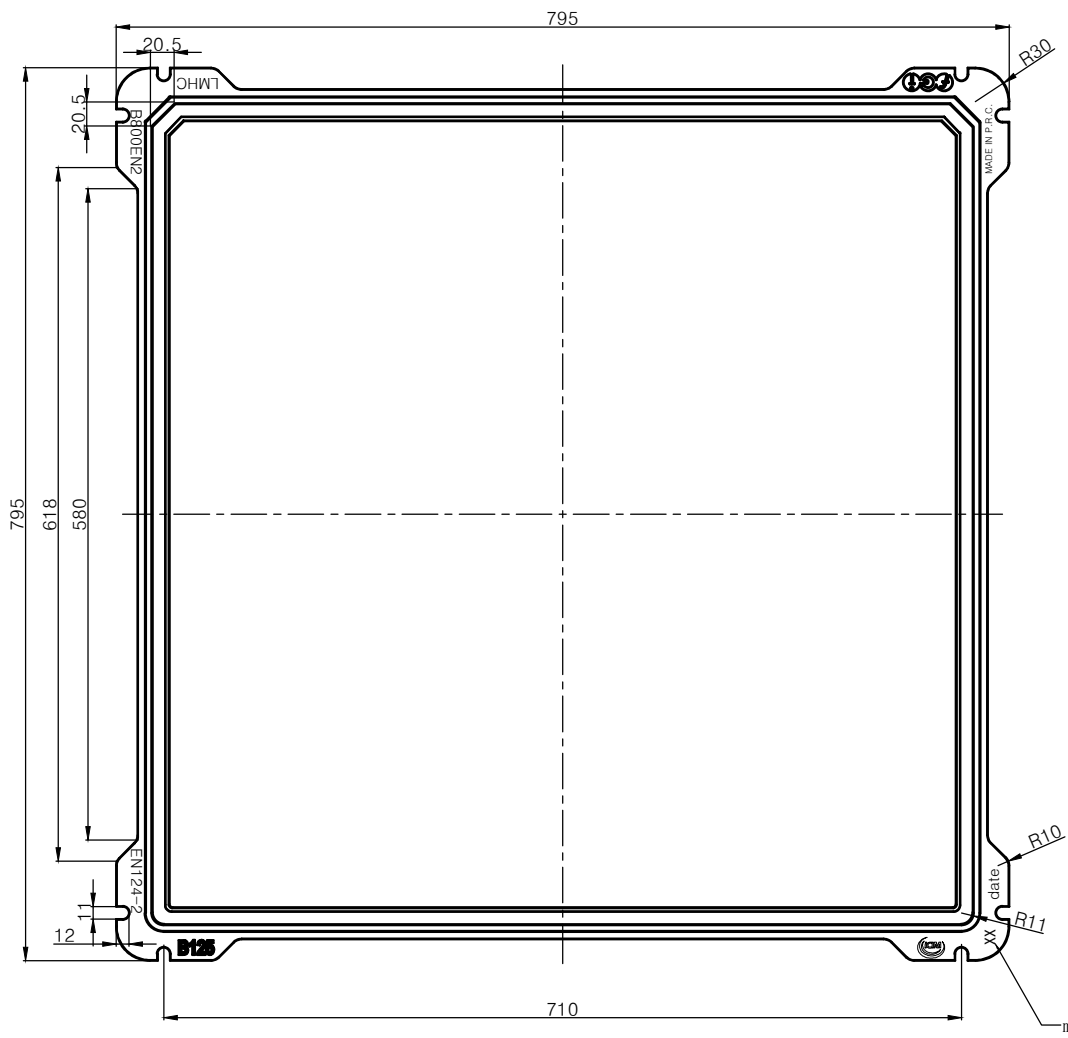


Technical requirement  
 1' pattern draft is 1-2° of main beams ,cover ,grids, frame side.  
 2' pattern draft is 5-10° of assistive beams ,gird holes ,outside.  
 3' pattern draft is 15° of surface patterns ,mark, logo.  
 4' casting radius which aren't been marked is R1-R3.

General Dimension Tolerance	General Weight Tolerance
According To ISO 8062-CT10	Tolerance(%) +5%

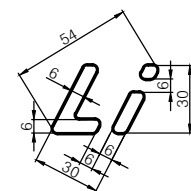
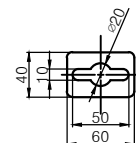
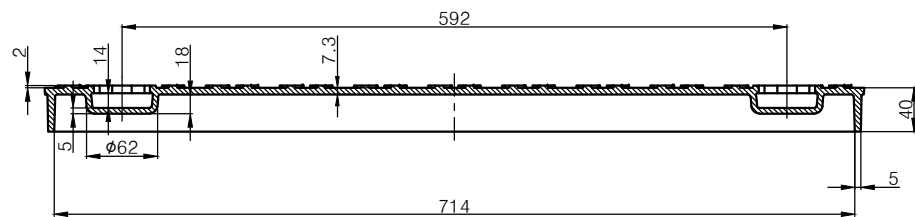
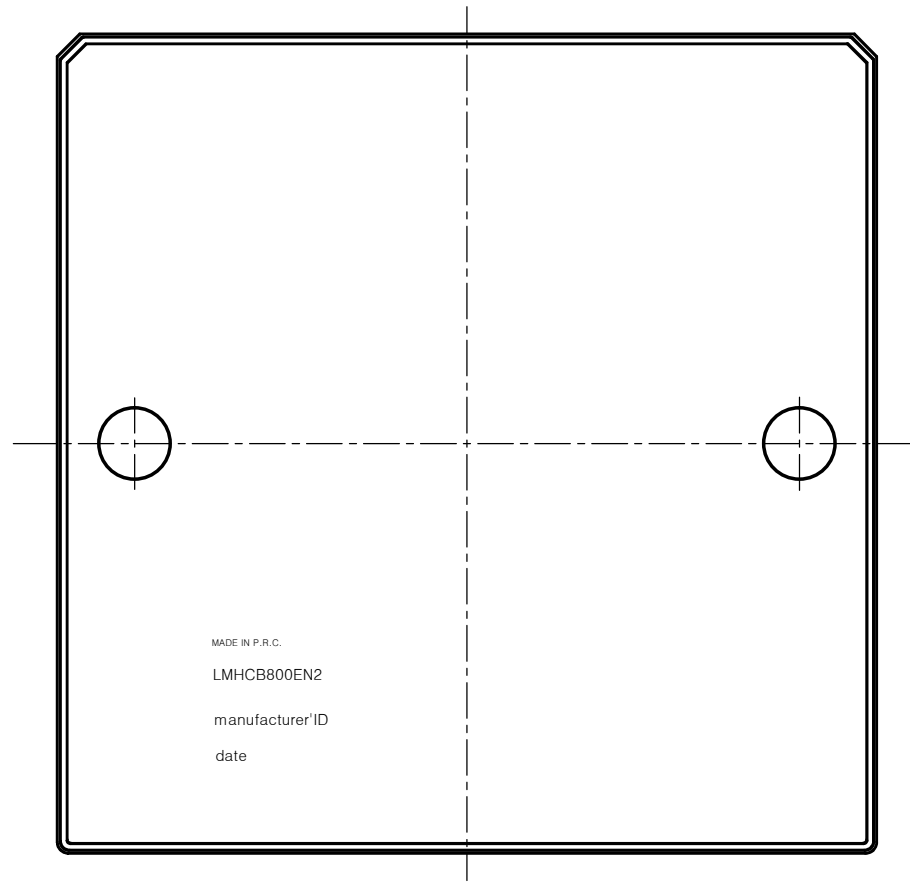
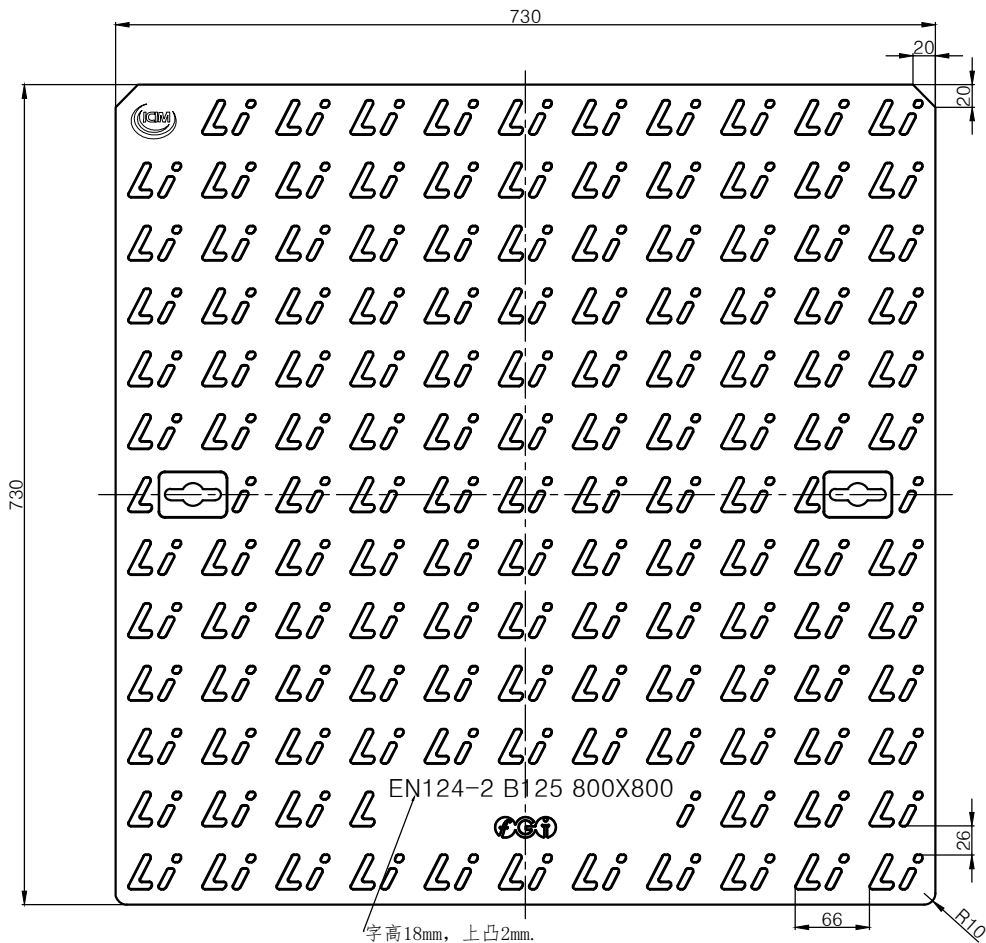
MATERIAL	GJS500-7	WEIGHT	41.8kg	CLASS	EN124-2 B125	SCALE	MARK:	
							CERTIFICATE NO. / PRODUCT CODE	
							NAME	L-LGSMEN-180L
							ITEM CODE	
							EDITION	0
							SHEET	1/3







MATERIAL	GJS500-7	WEIGHT	8.8kg	CLASS	EN124-2 B125	SCALE	MARK:		
						SIZE	CERTIFICATE NO. / PRODUCT CODE		
						795x795x45			
						NAME	L-LGSMEN-180L		
						ITEM CODE			
								EDITION	SHEET
								0	2/3





MATERIAL	GJS500-7	WEIGHT	33kg	CLASS	EN124-2 B125	SCALE	MARK:	
						SIZE	CERTIFICATE NO. / PRODUCT CODE	
						795x795x45		
						NAME	L-LGSMEN-180L	
						ITEM CODE		
							EDITION	SHEET
							0	3/3