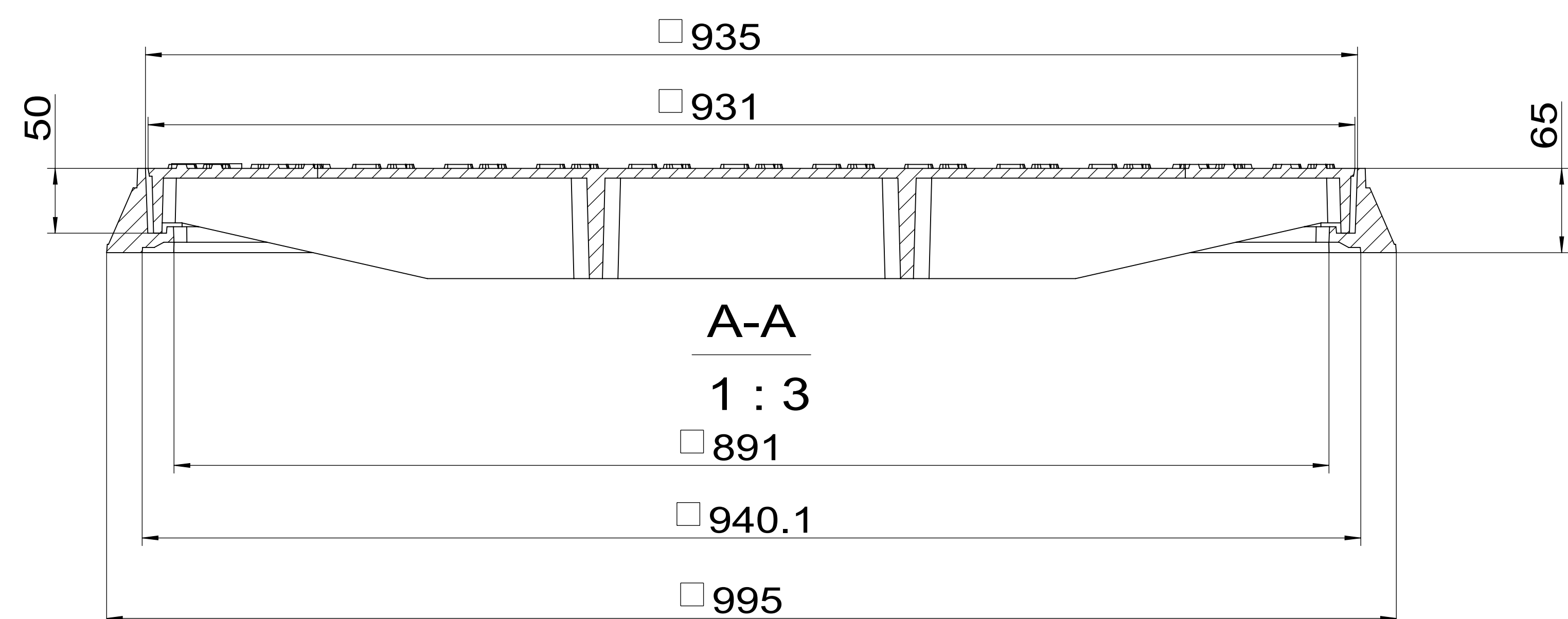
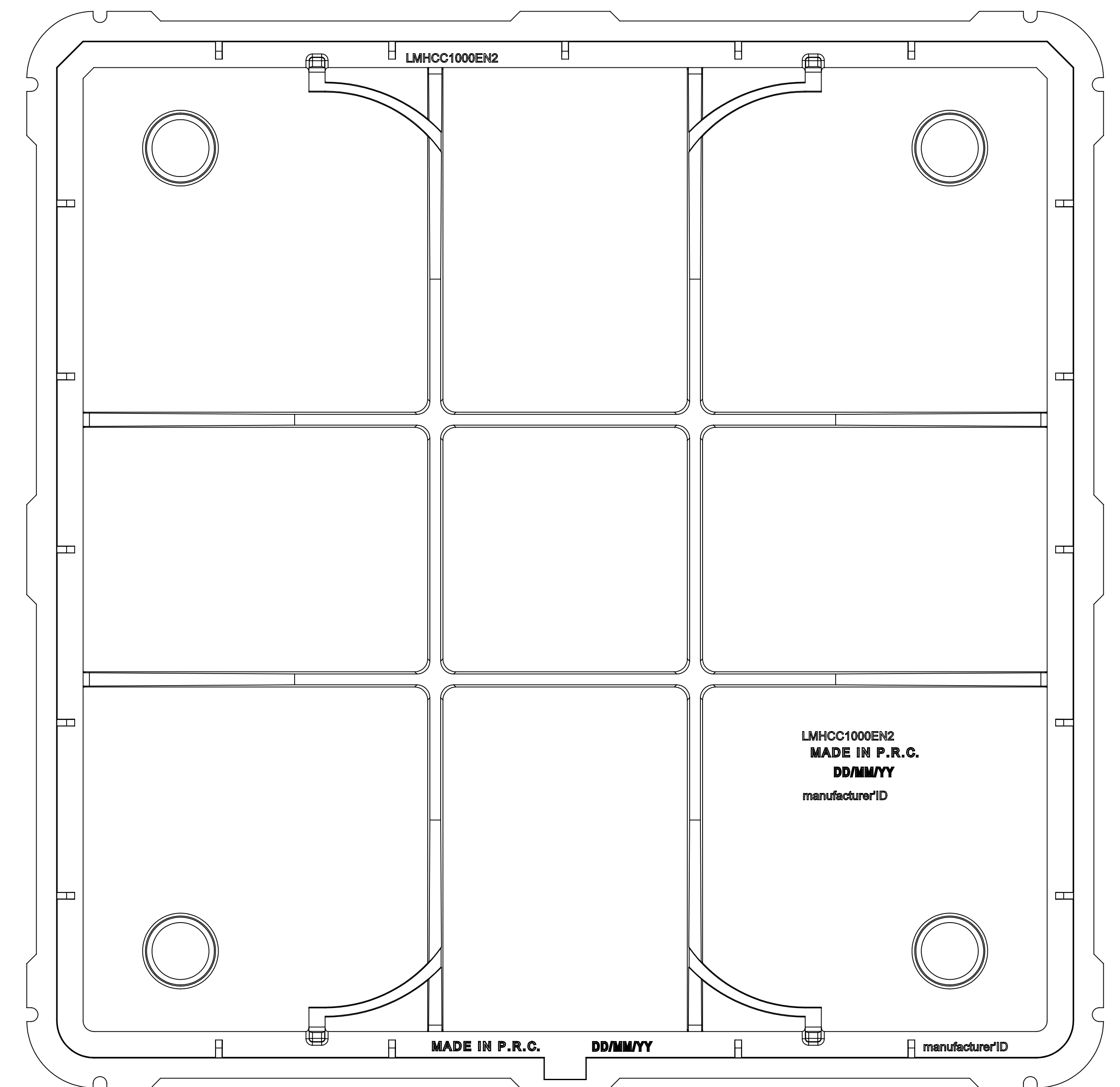
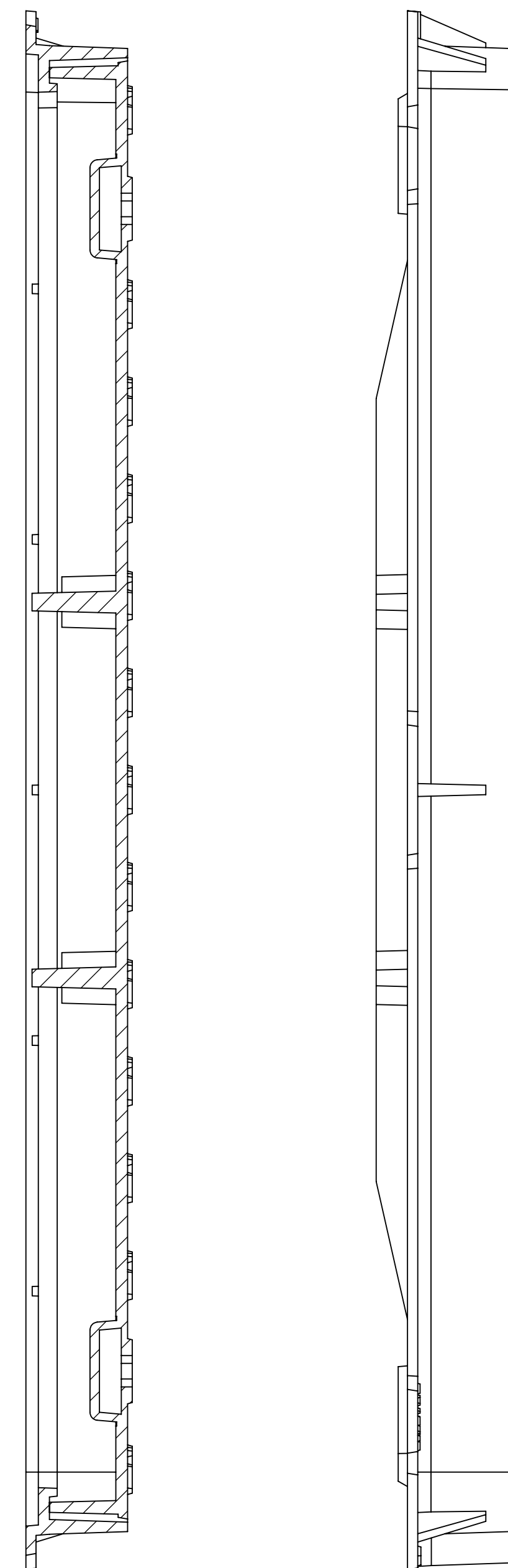


B-B
1 : 3



Technical requirement

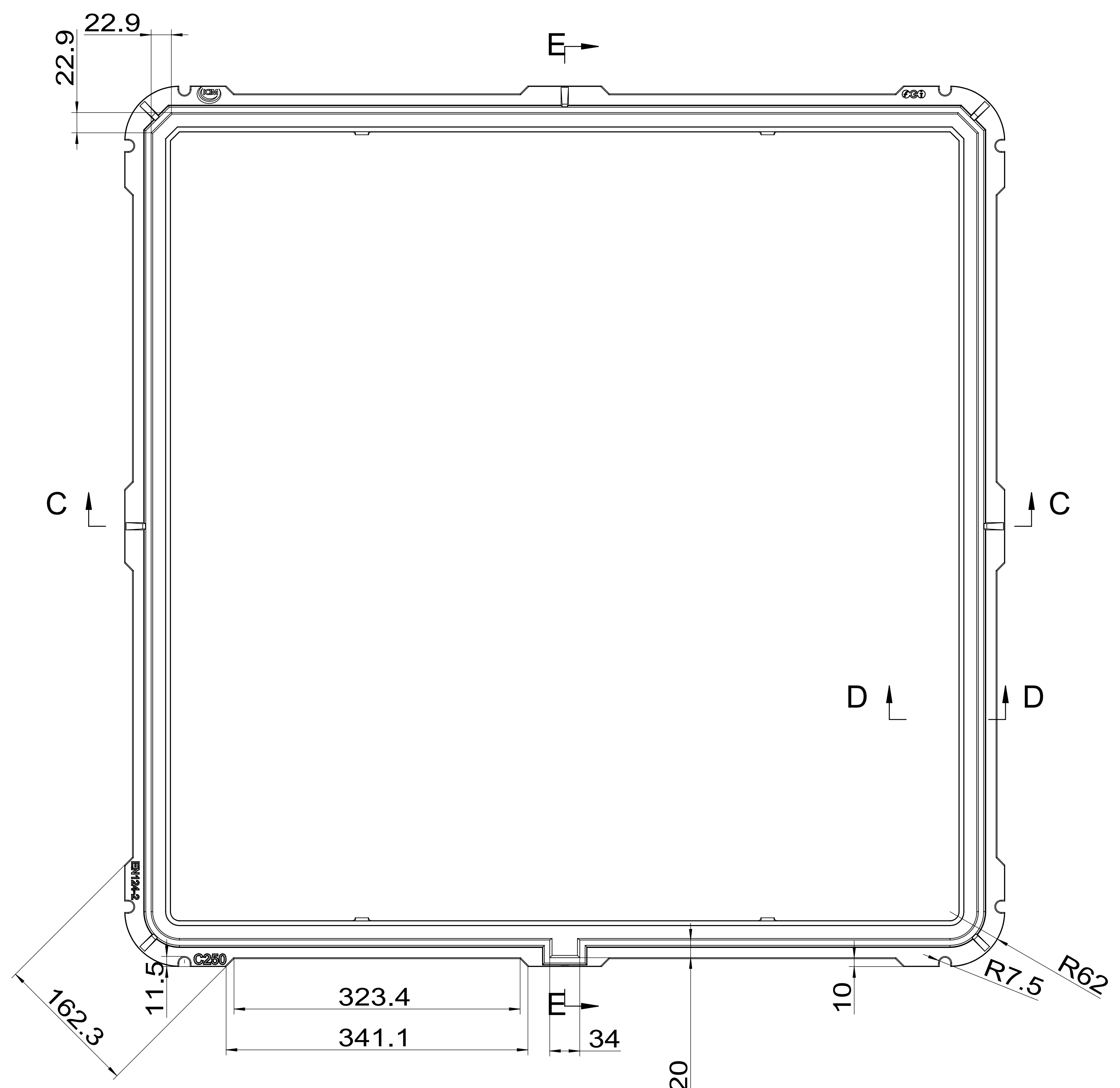
1. pattern draft is 1-2° of main beams ,cover ,grids, frame side.
2. pattern draft is 5-10° of assistive beams ,gird holes ,outside.
3. pattern draft is 15° of surface patterns ,mark, logo.
4. casting radius which aren't been marked is R1-R3.

General Dimension Tolerance
According To ISO 8062-CT10

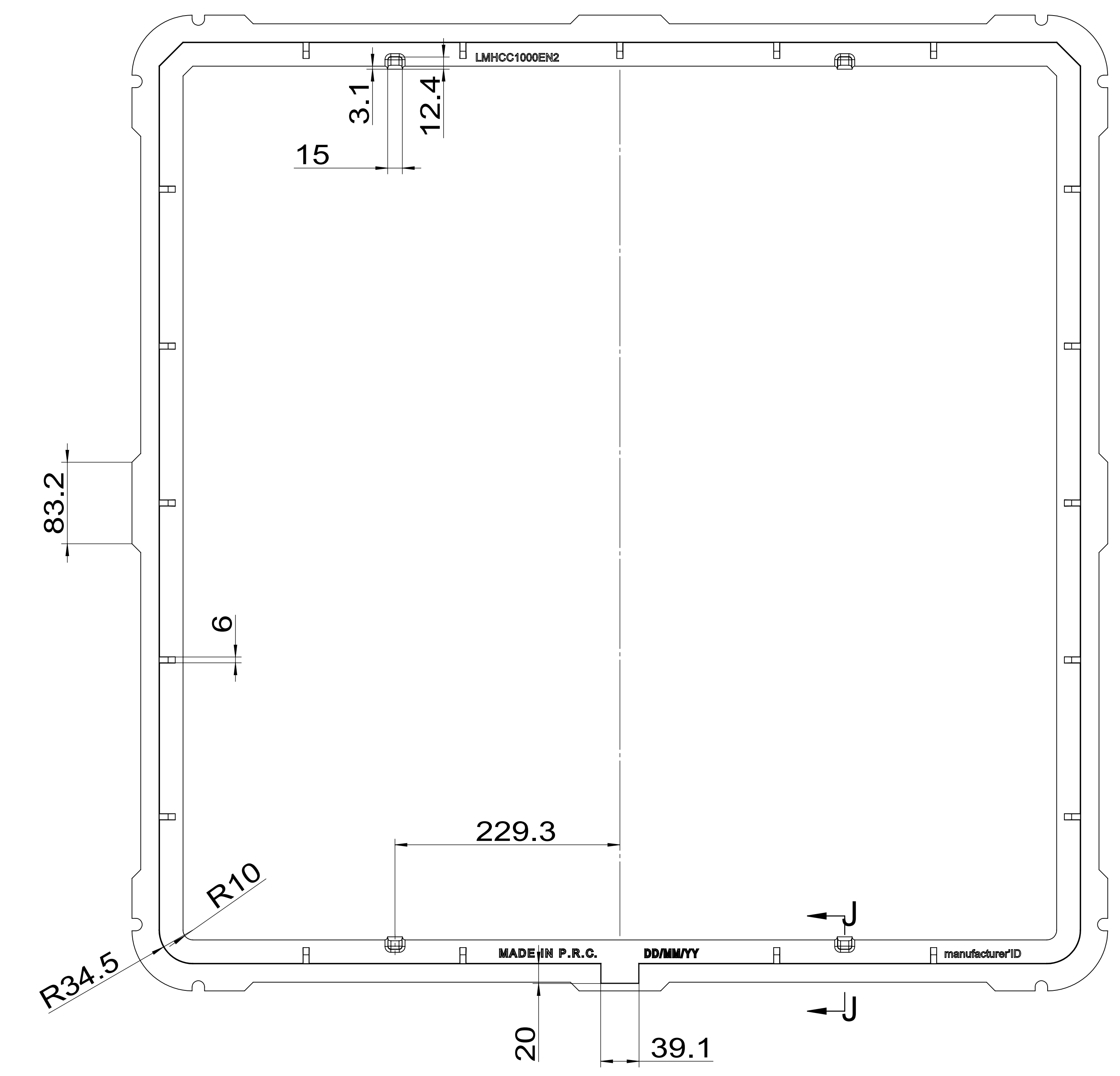
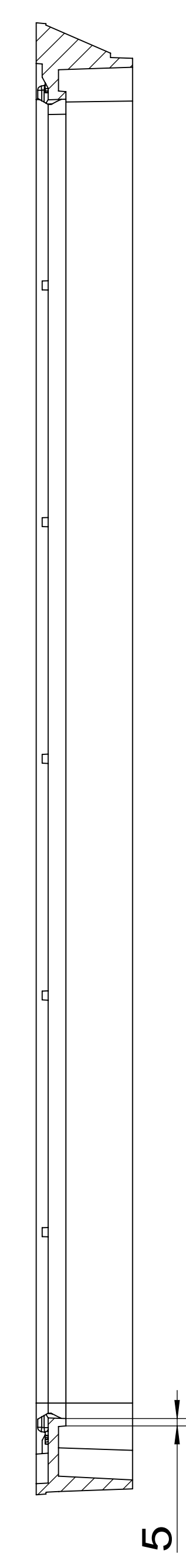
General Weight Tolerance
Tolerance(%)
±5%

MATERIAL	GJS500-7	WEIGHT/kg	102	CLASS	EN124-2 C250	SCALE	MARK:
						SIZE	CERTIFICATE NO. /
						995X995X65	PRODUCT CODE
						NAME	L-LGSMEN-210L
						ITEM CODE	
						EDITION	SHEET
						0	1/3

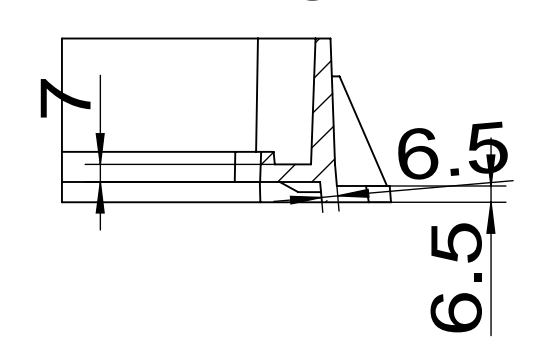




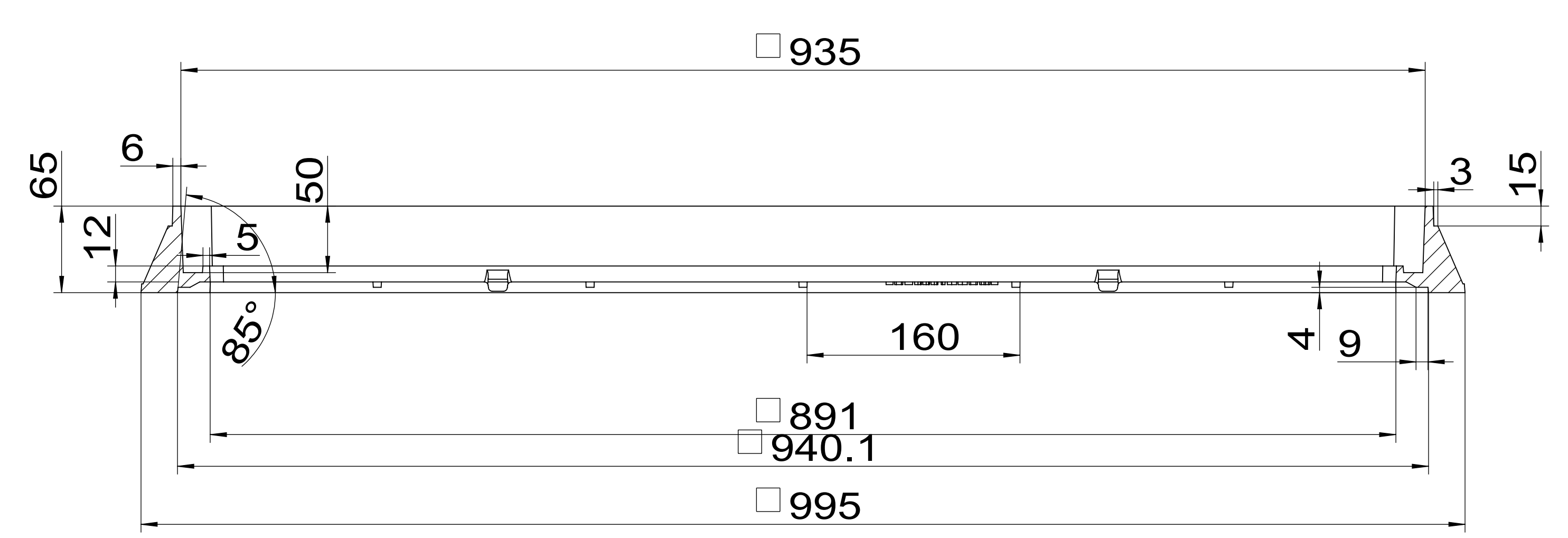
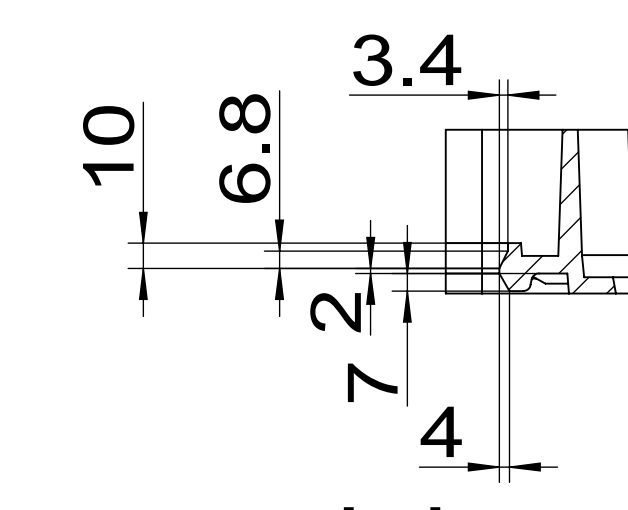
E-E
1 : 3



D-D
1 : 3



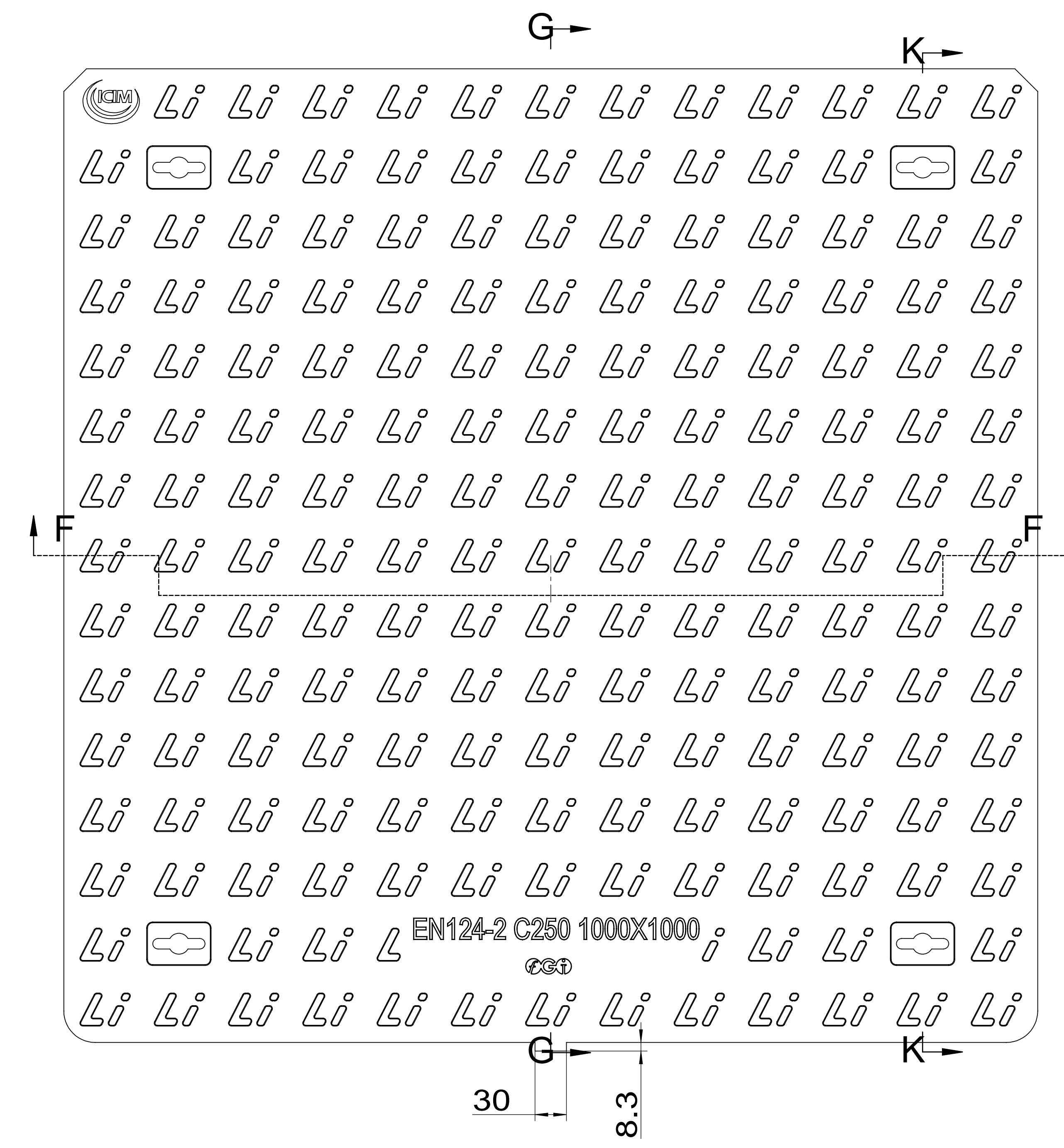
J-J
1 : 3



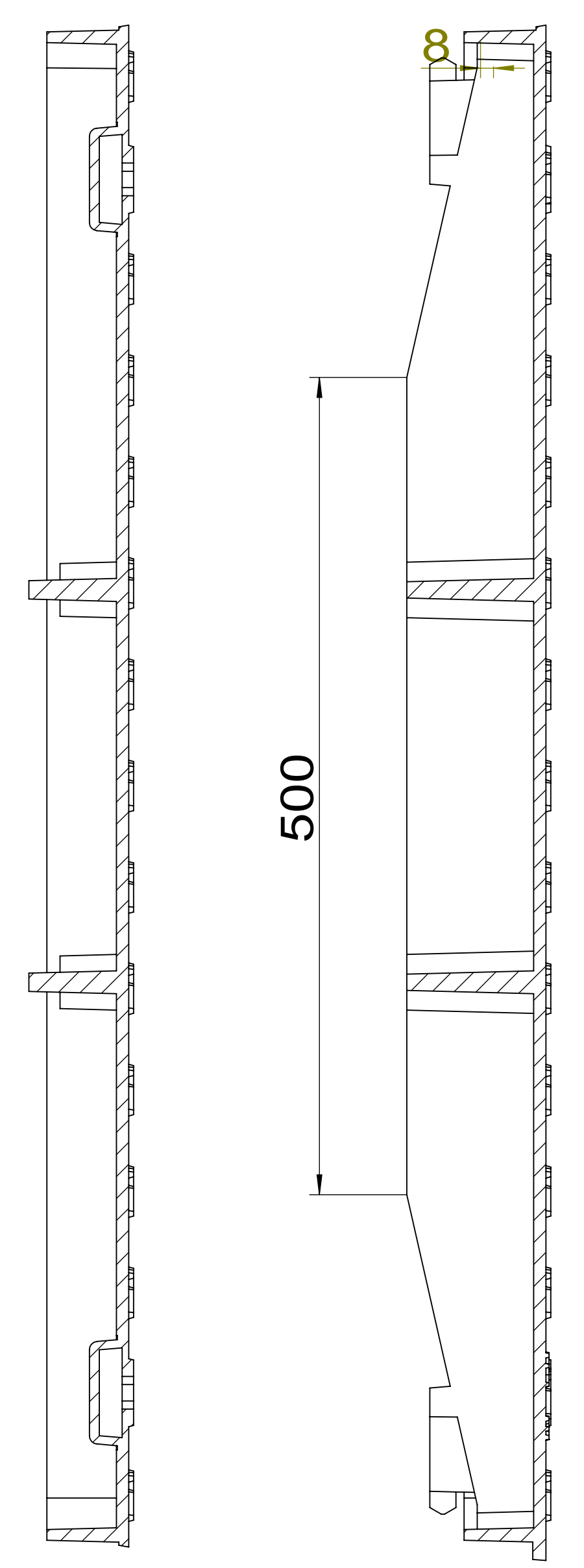
C-C
1 : 3

MATERIAL	GJS500-7	WEIGHT/kg	21	CLASS	EN124-2 C250	SCALE	MARK:
						SIZE	CERTIFICATE NO. / PRODUCT CODE
						995X995X65	
						NAME	L-LGSMEN-210L
						ITEM CODE	
						EDITION	SHEET
						0	2/3

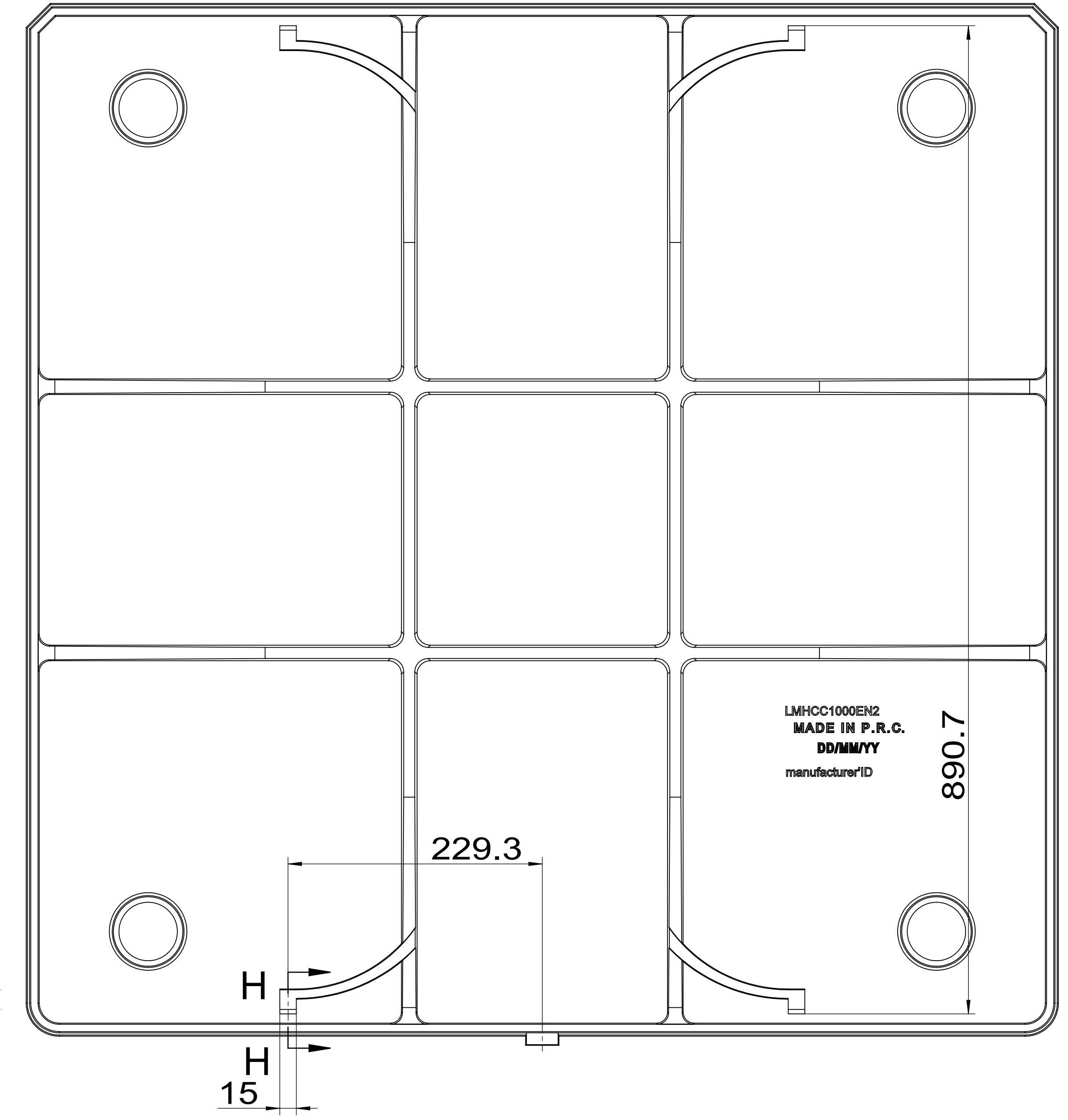
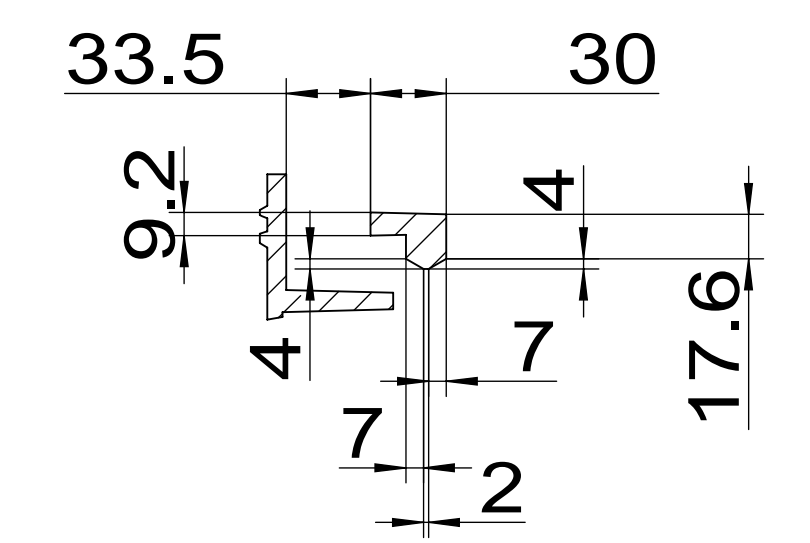




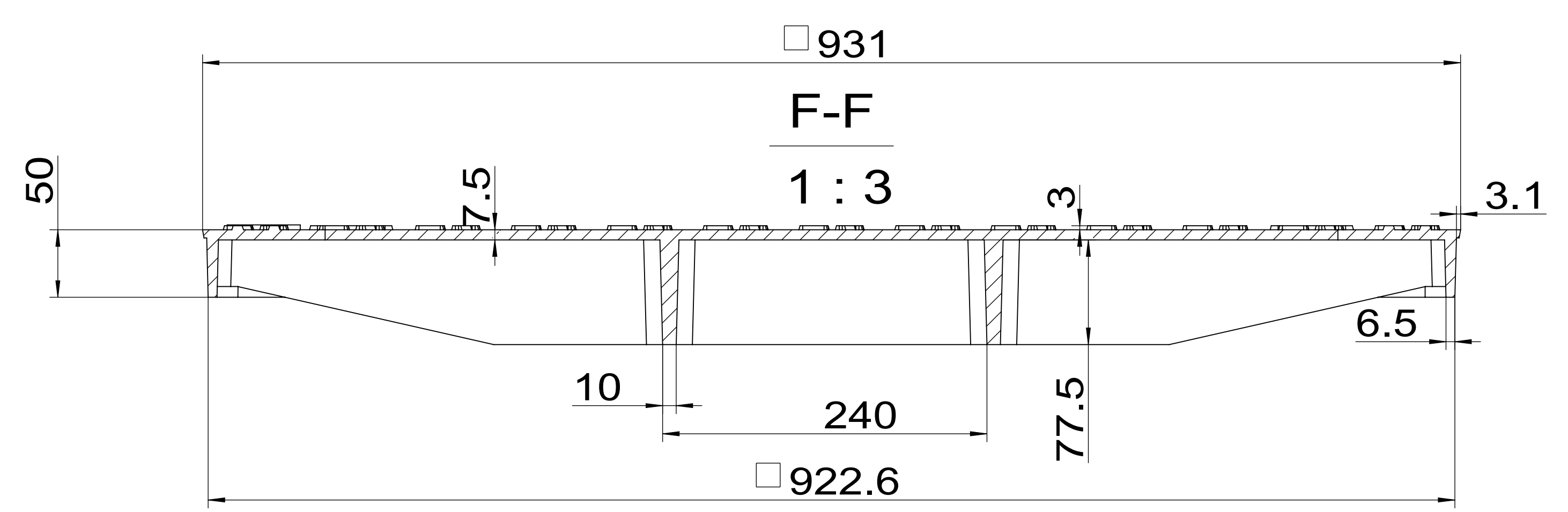
K-K
1 : 3



H-H
1 : 3



G-G
1 : 3



MATERIAL	GJS500-7	WEIGHT/kg	81	CLASS	EN124-2 C250	SCALE	MARK:
						SIZE	CERTIFICATE NO. /
						995X995X65	PRODUCT CODE
						NAME	L-LGSMEN-210L
						ITEM CODE	
						EDITION	SHEET
						0	3/3

