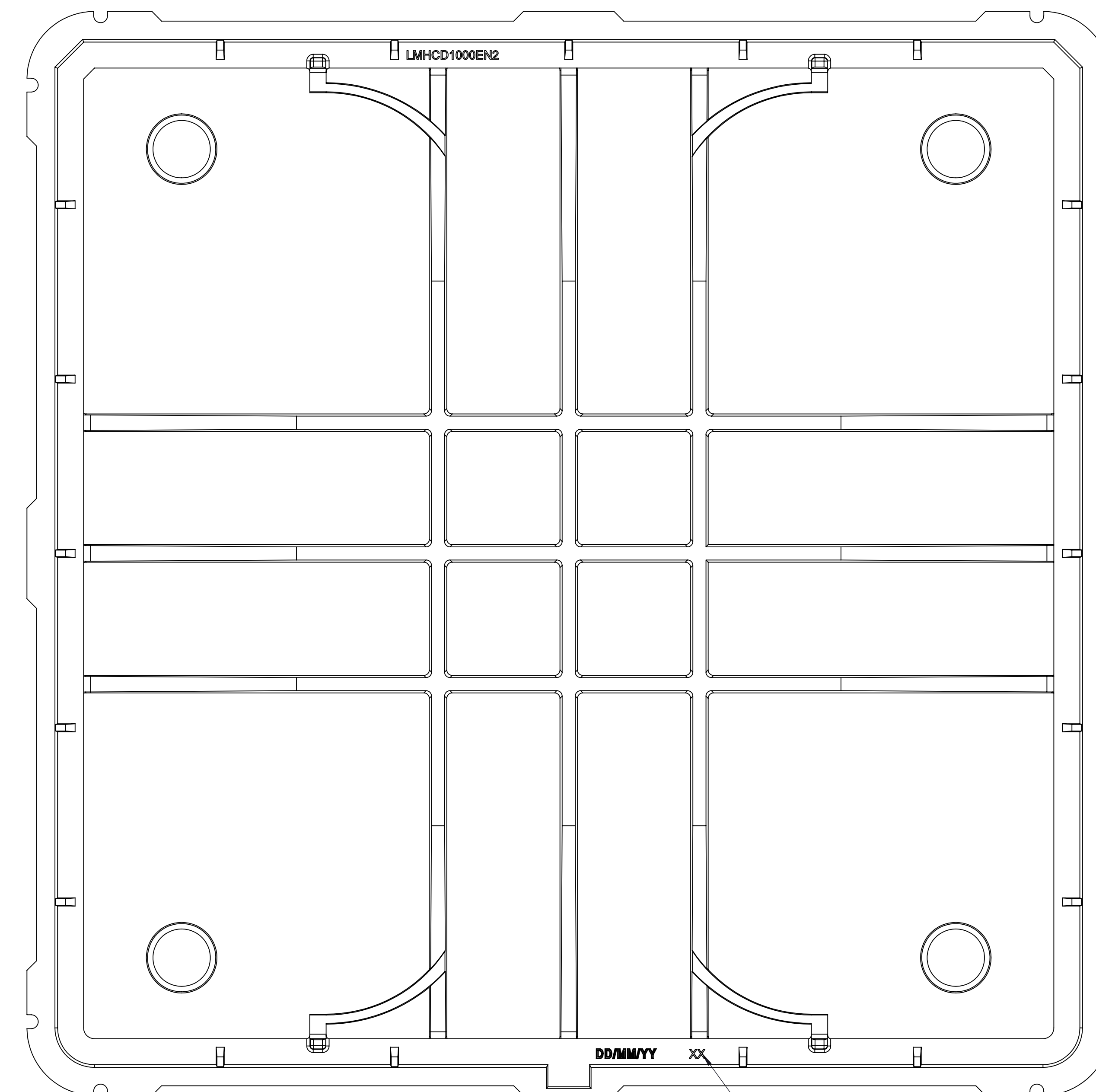
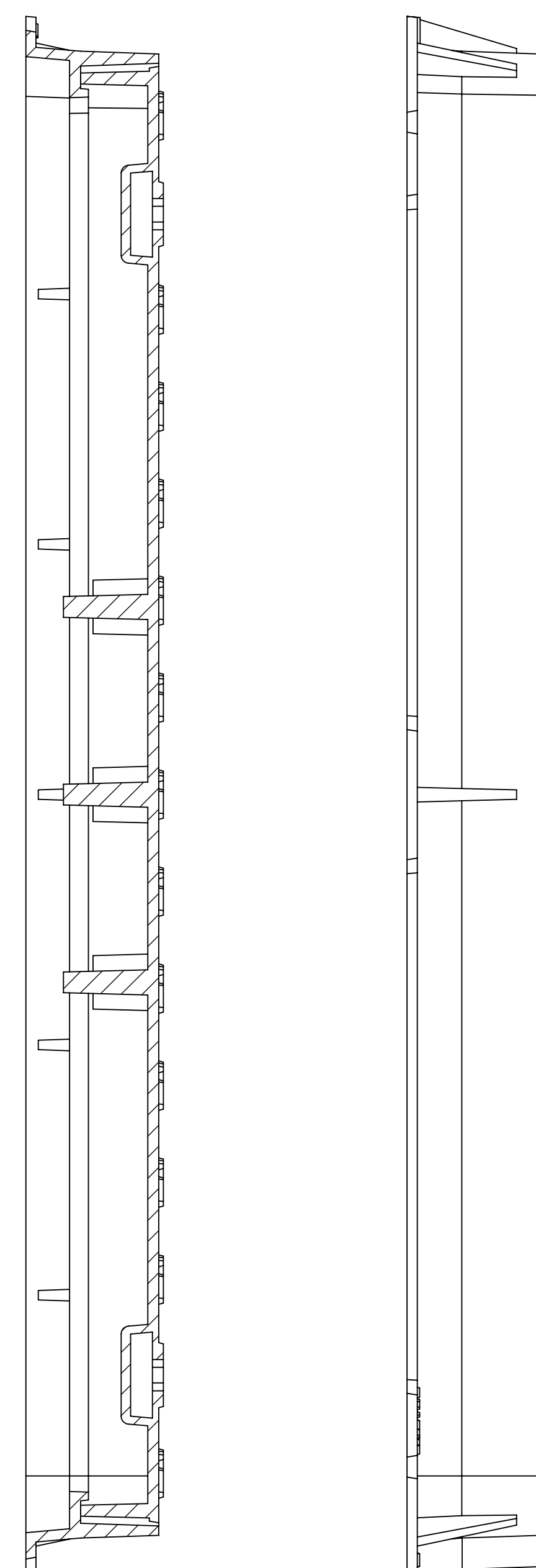


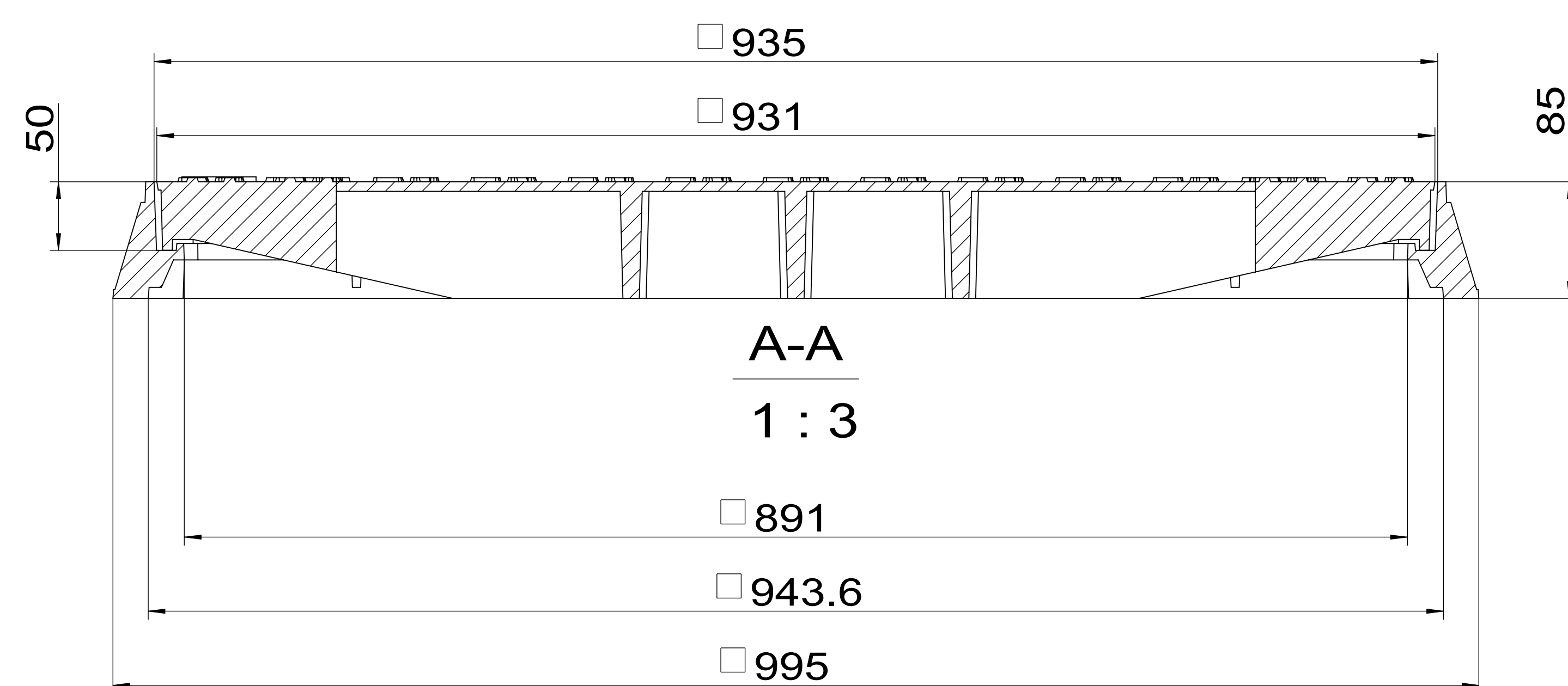
B-B
1 : 3



manufacturer'ID



Technical requirement

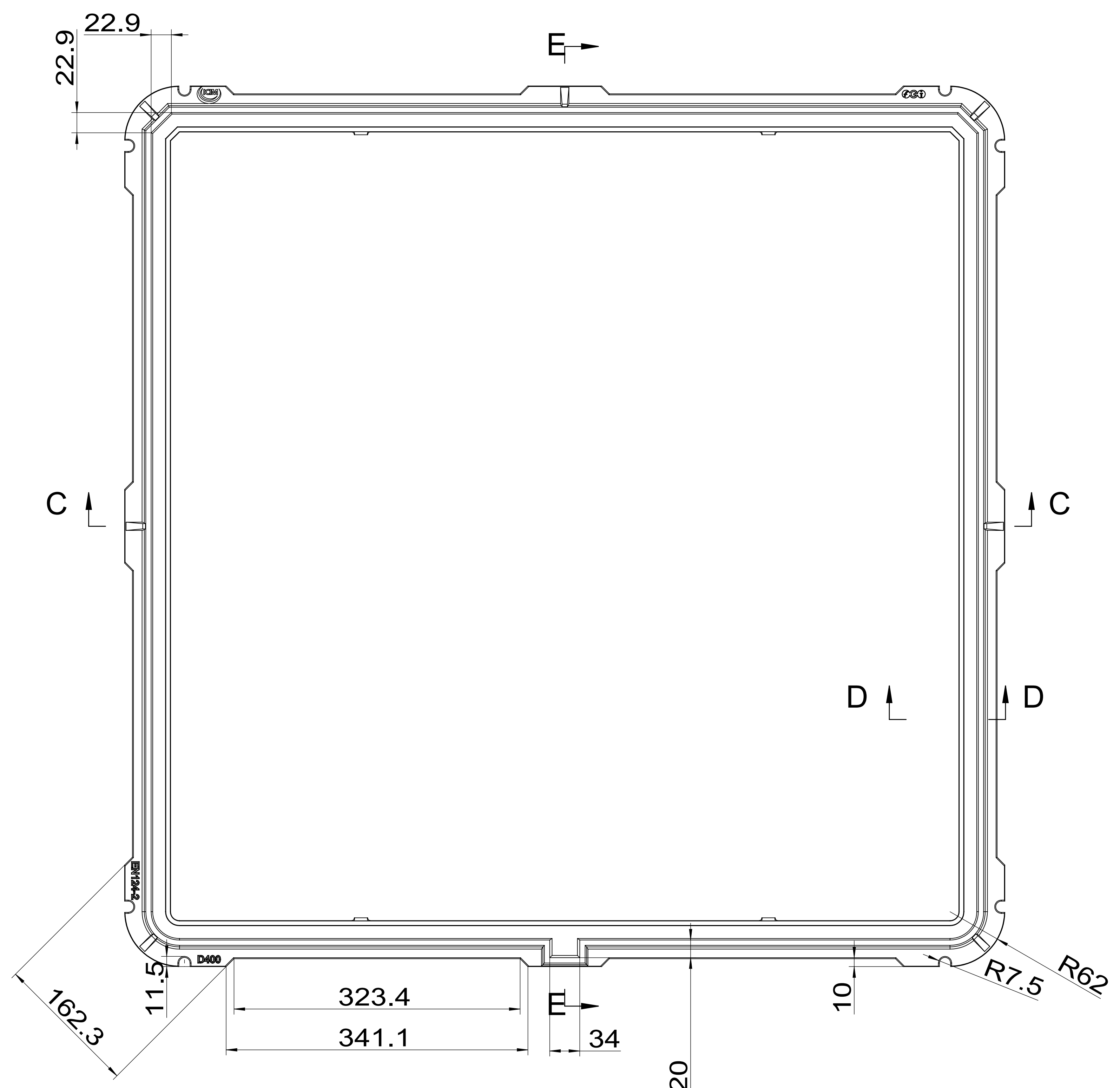
- 1、 pattern draft is 1-2° of main beams ,cover ,grids, frame side.
- 2、 pattern draft is 5-10° of assistive beams ,grid holes ,outside.
- 3、 pattern draft is 15° of surface patterns ,mark, logo.
- 4、 casting radius which aren't been marked is R1-R3.



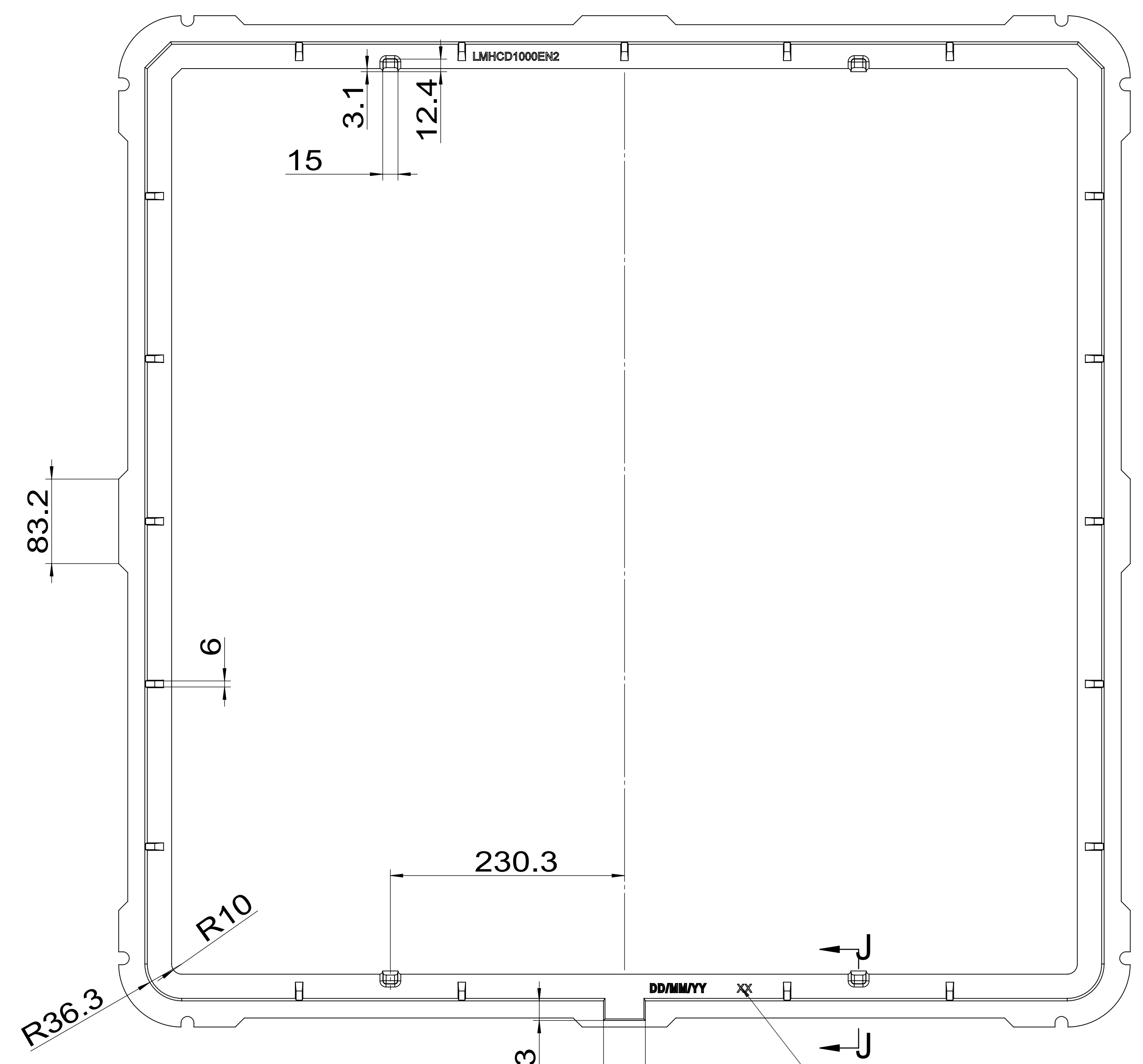
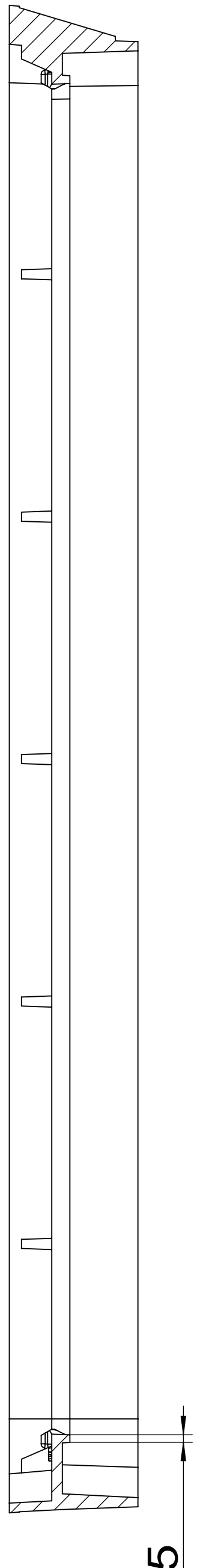
General Dimension Tolerance
According To ISO 8062-CT10

General Weight Tolerance
Tolerance(%)
±5%

MATERIAL	GJS500-7	WEIGHT/kg	119	CLASS	EN124-2 D400	SCALE	MARK:
DESIGNED BY	Sid	CHECKED BY		APPROVED BY - DATE		SIZE	CERTIFICATE NO. / PRODUCT CODE
				ITEM CODE	L-LGSMEN-410L		
		DESIGN DATE	2016/9/25	EDITION	0	SHEET	1/3

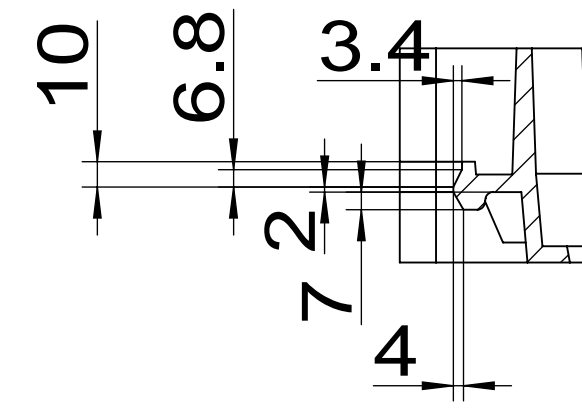
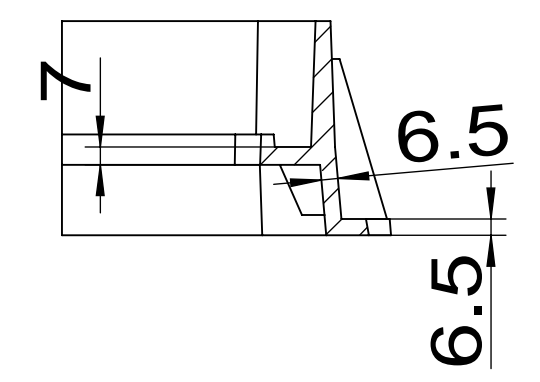


E-E
1 : 3

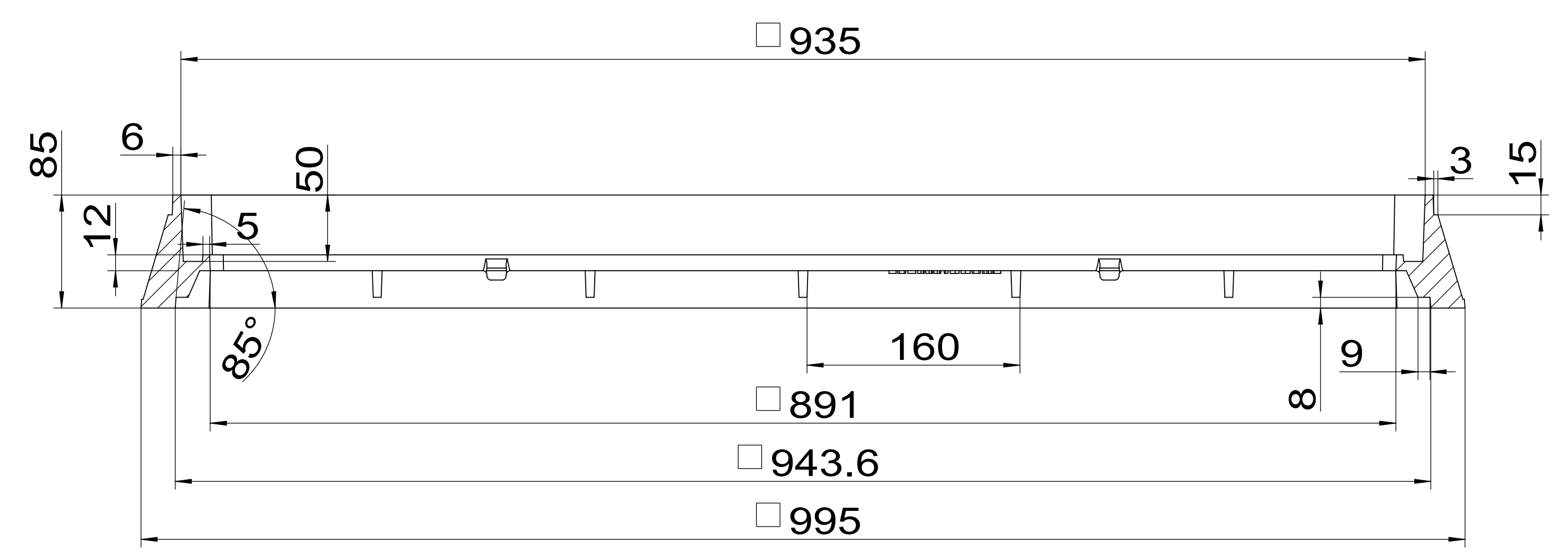


manufacturer'ID



D-D
1 : 3

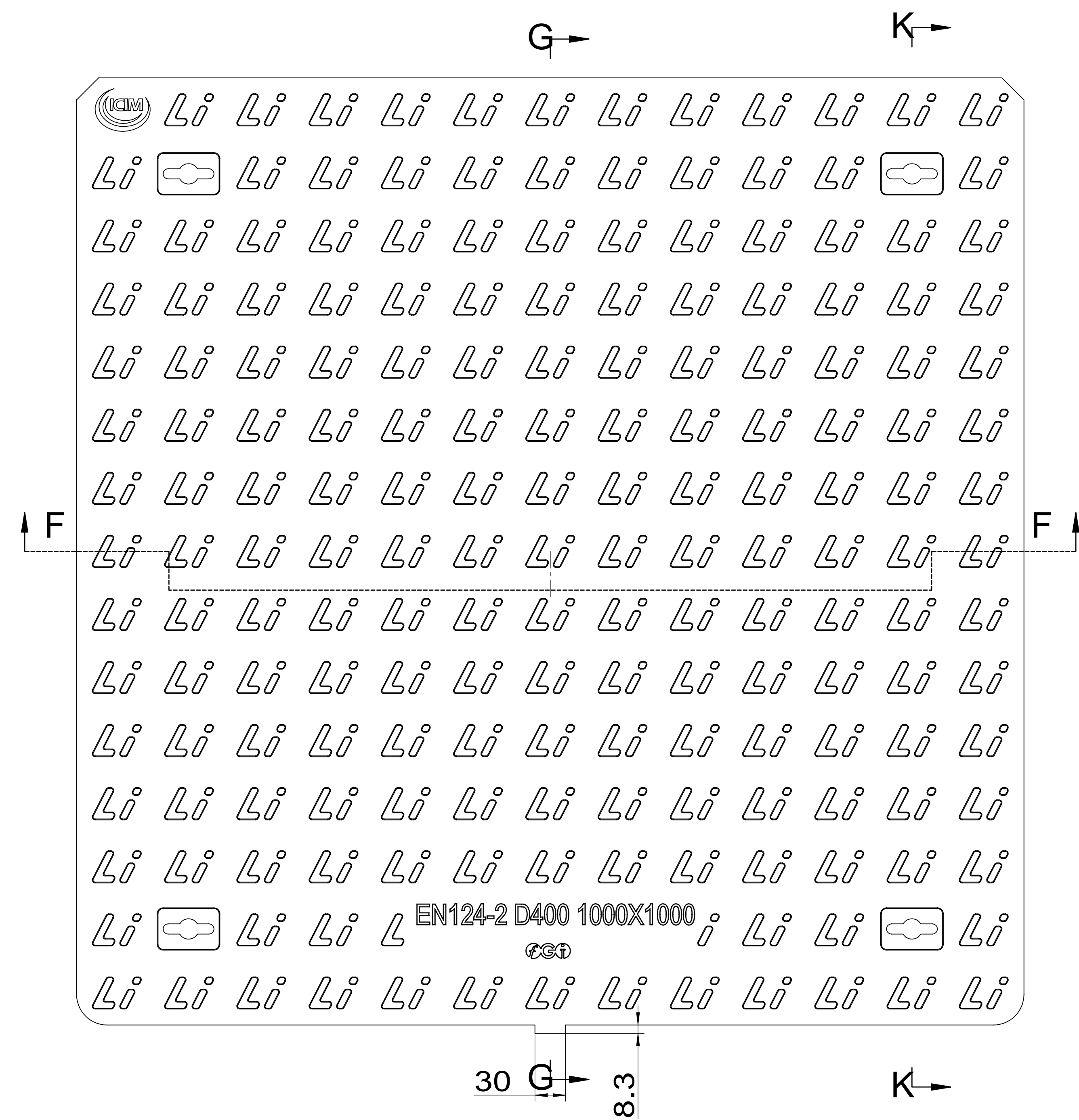


J-J
1 : 3

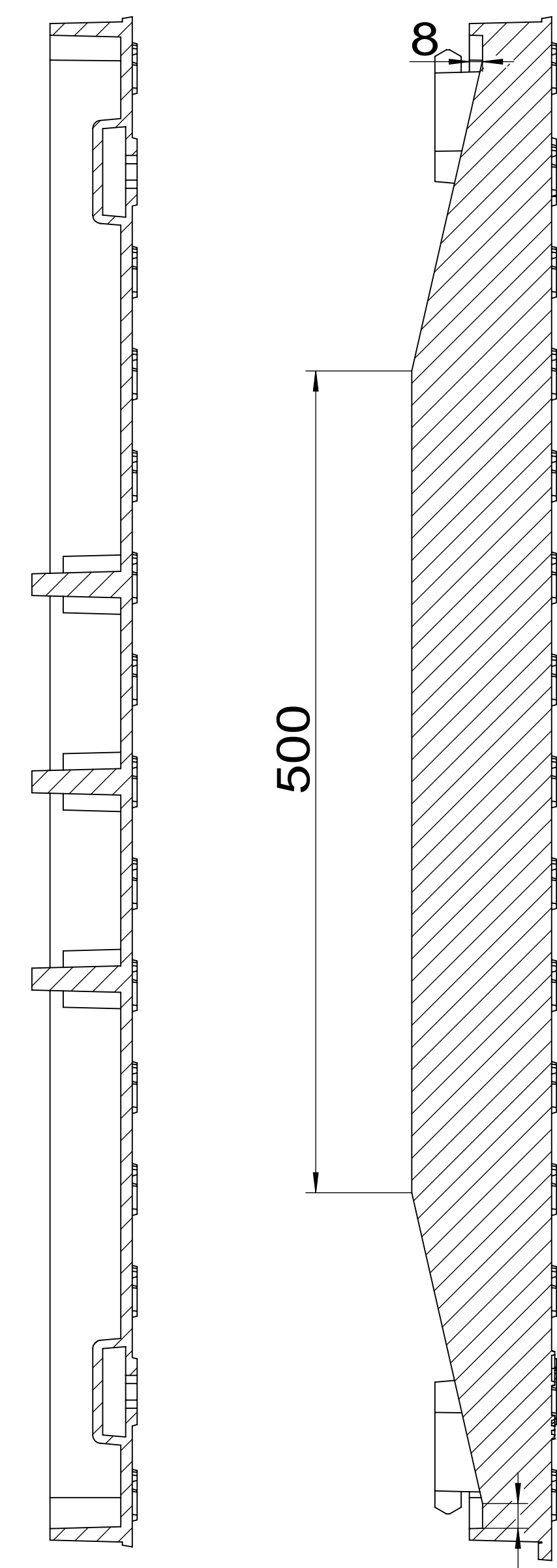


C-C
1 : 3

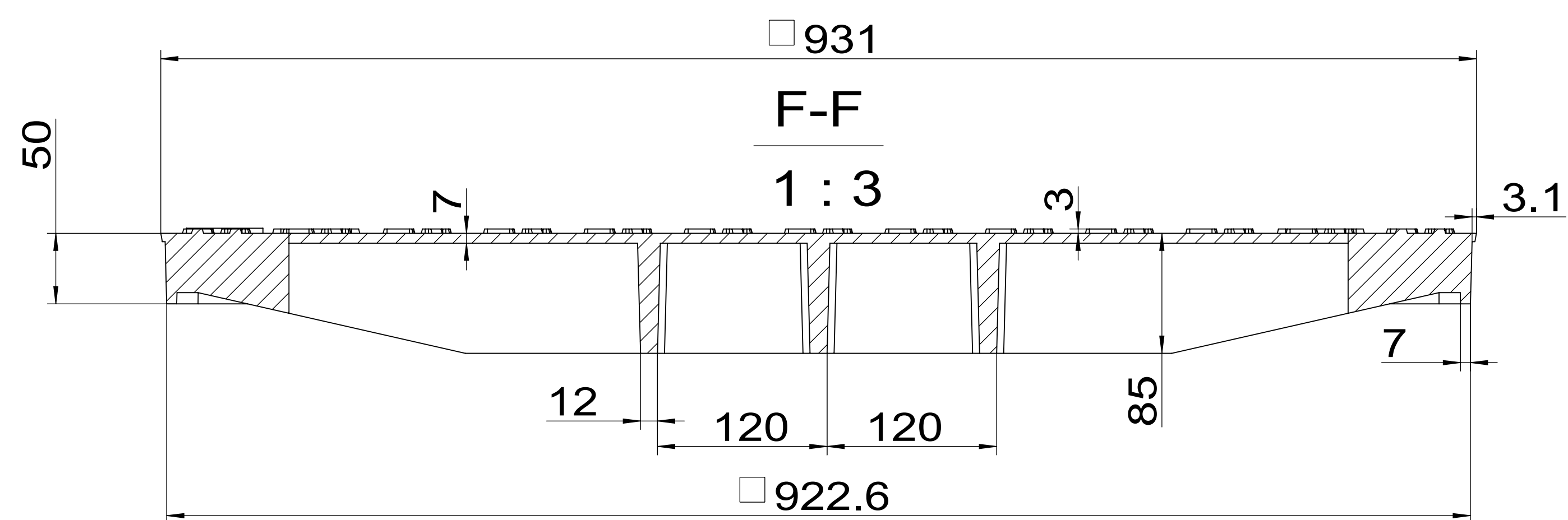
MATERIAL	GJS500-7	WEIGHT/kg	24.5	CLASS	EN124-2 D400	SCALE	MARK:
DESIGNED BY	Sid	CHECKED BY		APPROVED BY - DATE		SIZE	CERTIFICATE NO. / PRODUCT CODE
				ITEM CODE	NAME		
				DESIGN DATE	L-LGSMEN-410L		
				2016/9/25	EDITION	SHEET	
					0	2/3	



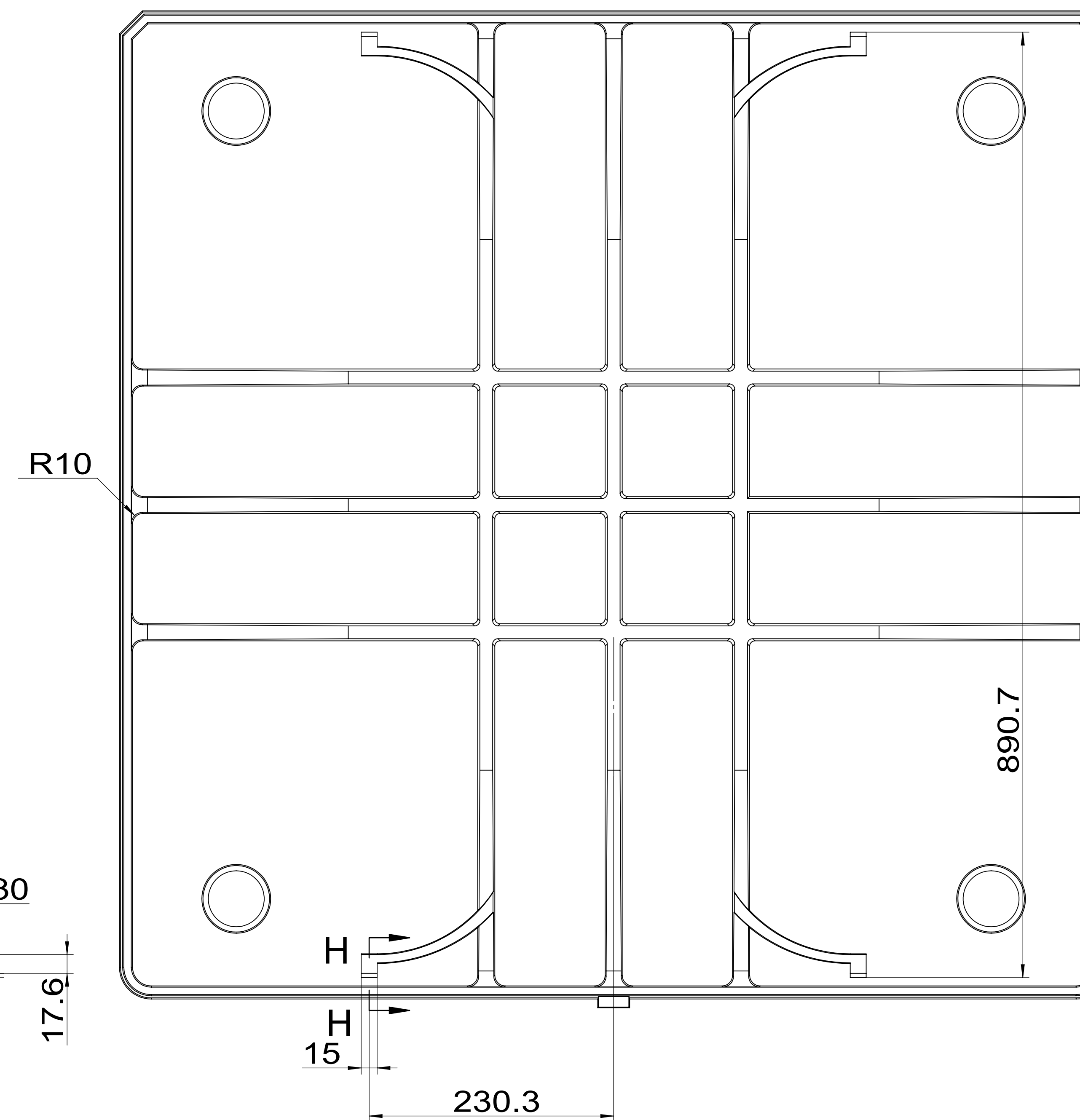
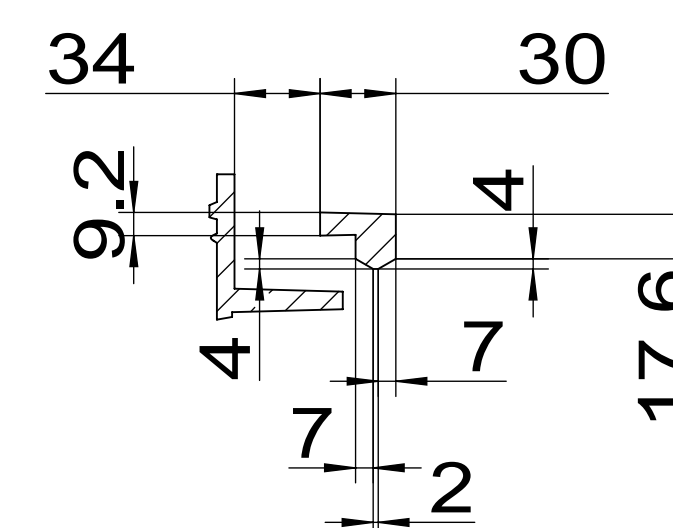
K-K
1 : 3



G-G
1 : 3



H-H
1 : 3



MATERIAL	GJS500-7	WEIGHT/kg	94.5	CLASS	EN124-2 D400	SCALE	MARK:
DESIGNED BY	Sid	CHECKED BY		APPROVED BY - DATE		SIZE	CERTIFICATE NO. / PRODUCT CODE
						ITEM CODE	L-LGSMEN-410L
						DESIGN DATE	2016/9/25