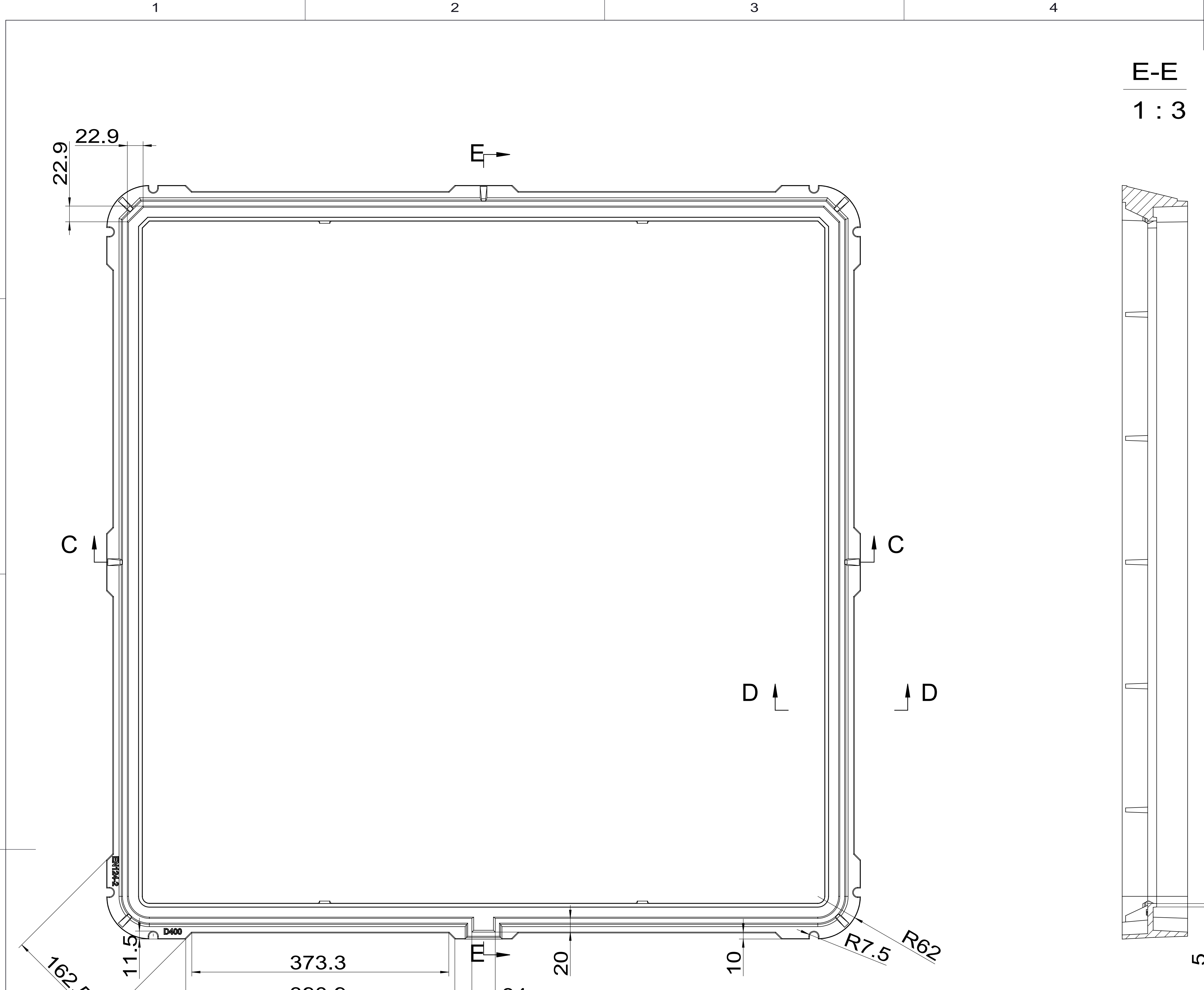


- Technical requirement**
1. pattern draft is 1-2° of main beams ,cover ,grids, frame side.
 2. pattern draft is 5-10° of assistive beams ,gird holes ,outside.
 3. pattern draft is 15° of surface patterns ,mark, logo.
 4. casting radius which aren't been marked is R1-R3.

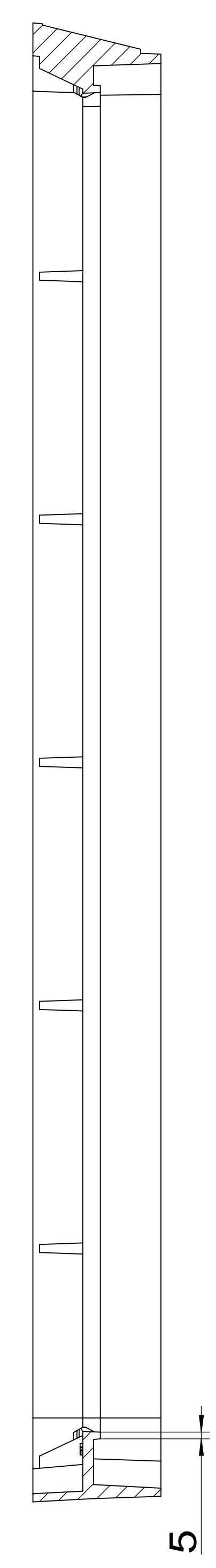
General Dimension Tolerance		General Weight Tolerance	
According To ISO 8062-CT10		Tolerance(%)	
		±5%	

MATERIAL	GJS500-7	WEIGHT/kg	145	CLASS	EN124-2 D400	SCALE	MARK:
SIZE				1095X1095X95		CERTIFICATE NO. / PRODUCT CODE	
ITEM CODE				NAME			
DESIGN DATE				L-LGSMEN-420L			
2017/6/28				EDITION		SHEET	
				0		1/3	

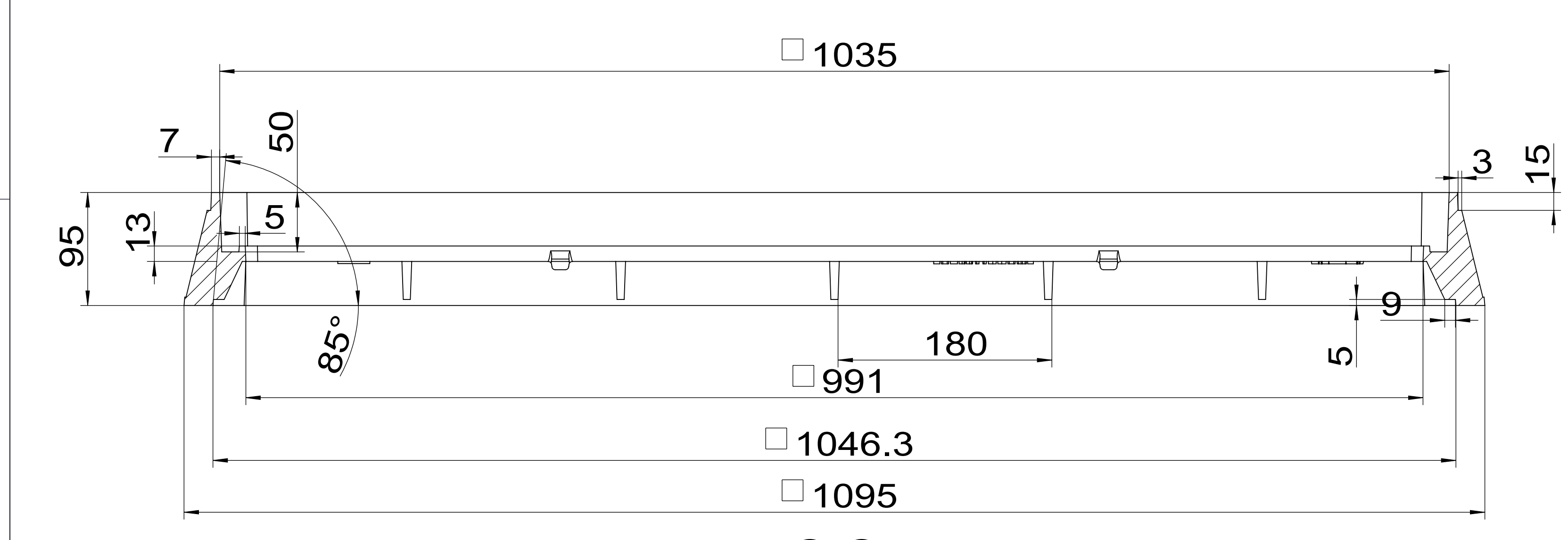
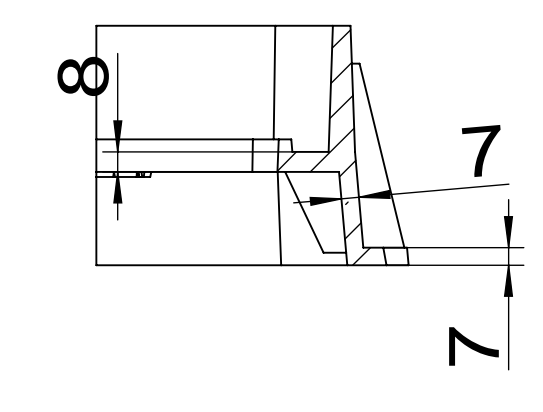




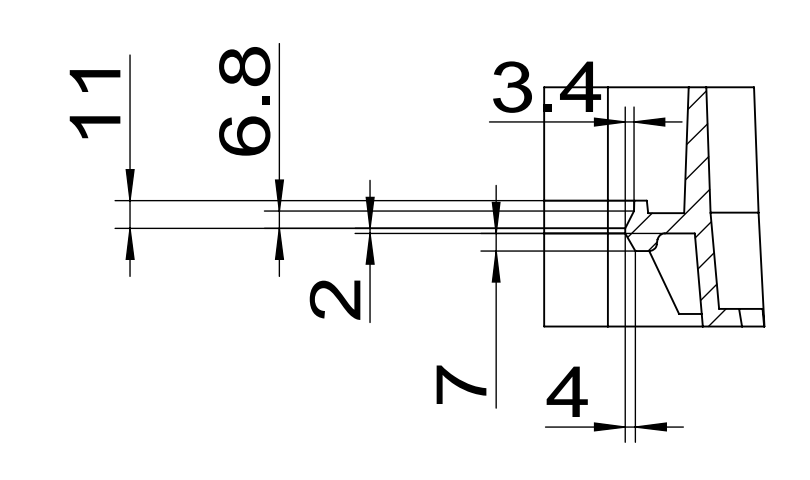
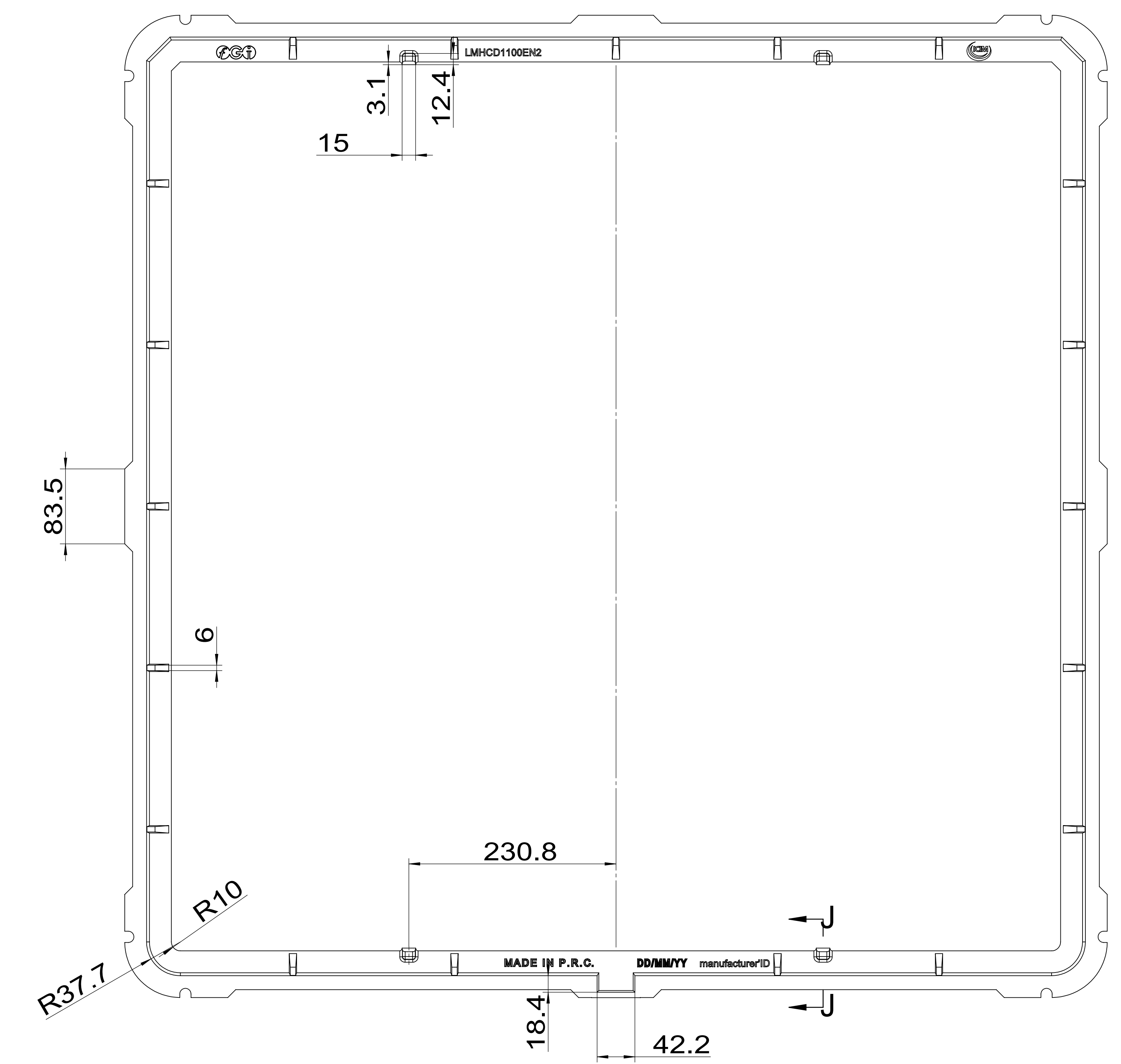
E-E
1 : 3




D-D
1 : 3

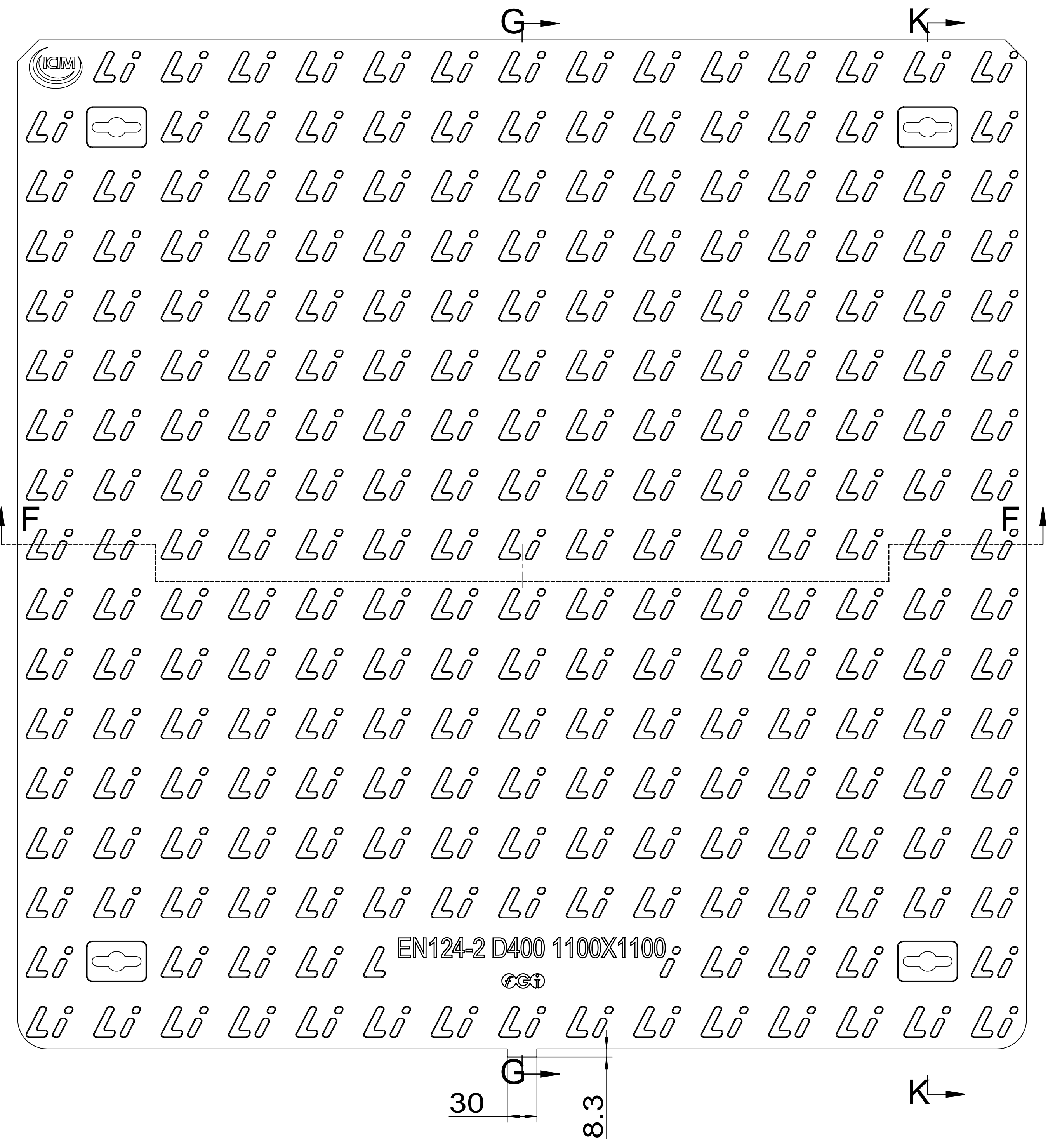


C-C
1 : 3

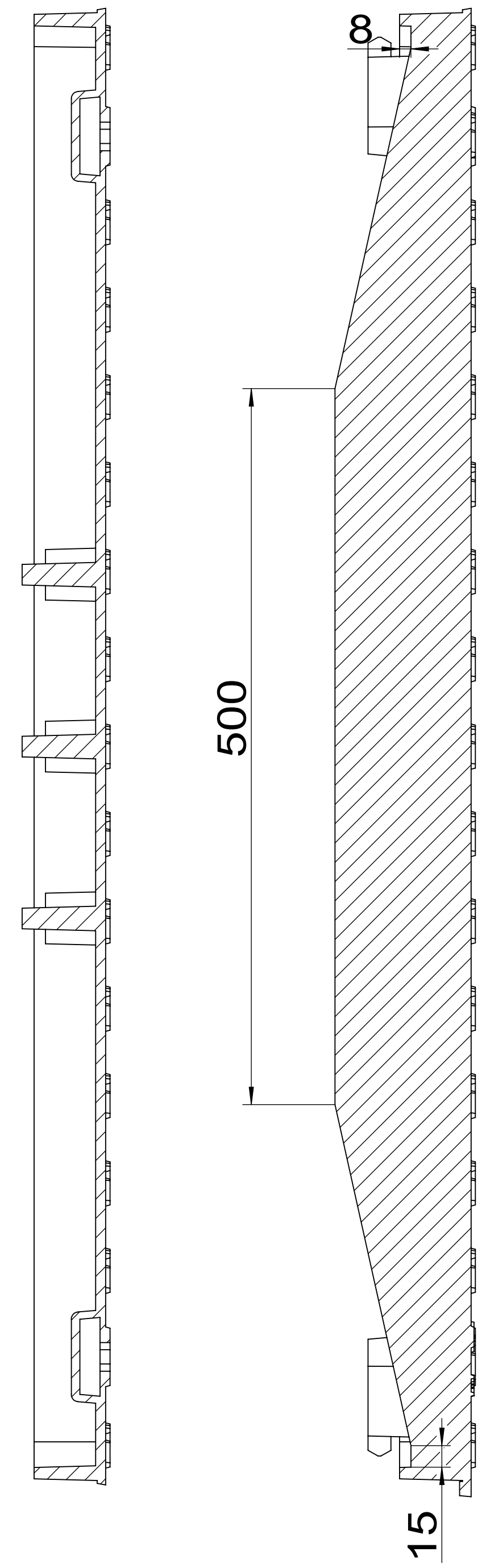


J-J
1 : 3

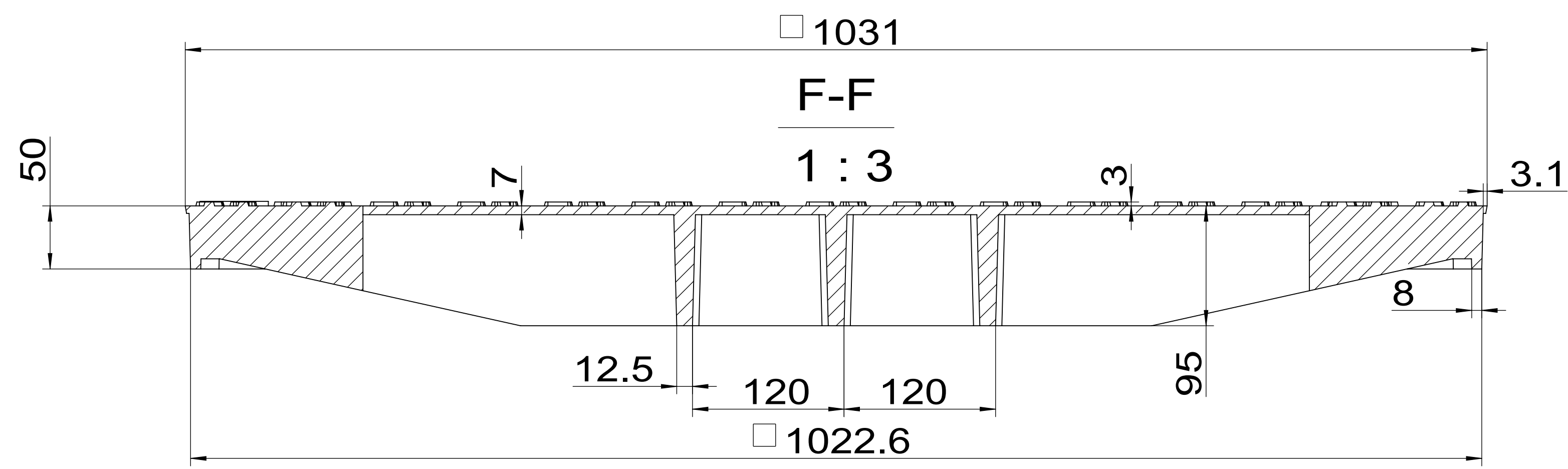
MATERIAL	GJS500-7	WEIGHT/kg	32	CLASS	EN124-2 D400	SCALE	MARK:
						SIZE	CERTIFICATE NO. /
						1095X1095X95	PRODUCT CODE
						NAME	L-LGSMEN-420L
				ITEM CODE			
				DESIGN DATE		EDITION	
				2017/6/28		0	
						SHEET 2/3	



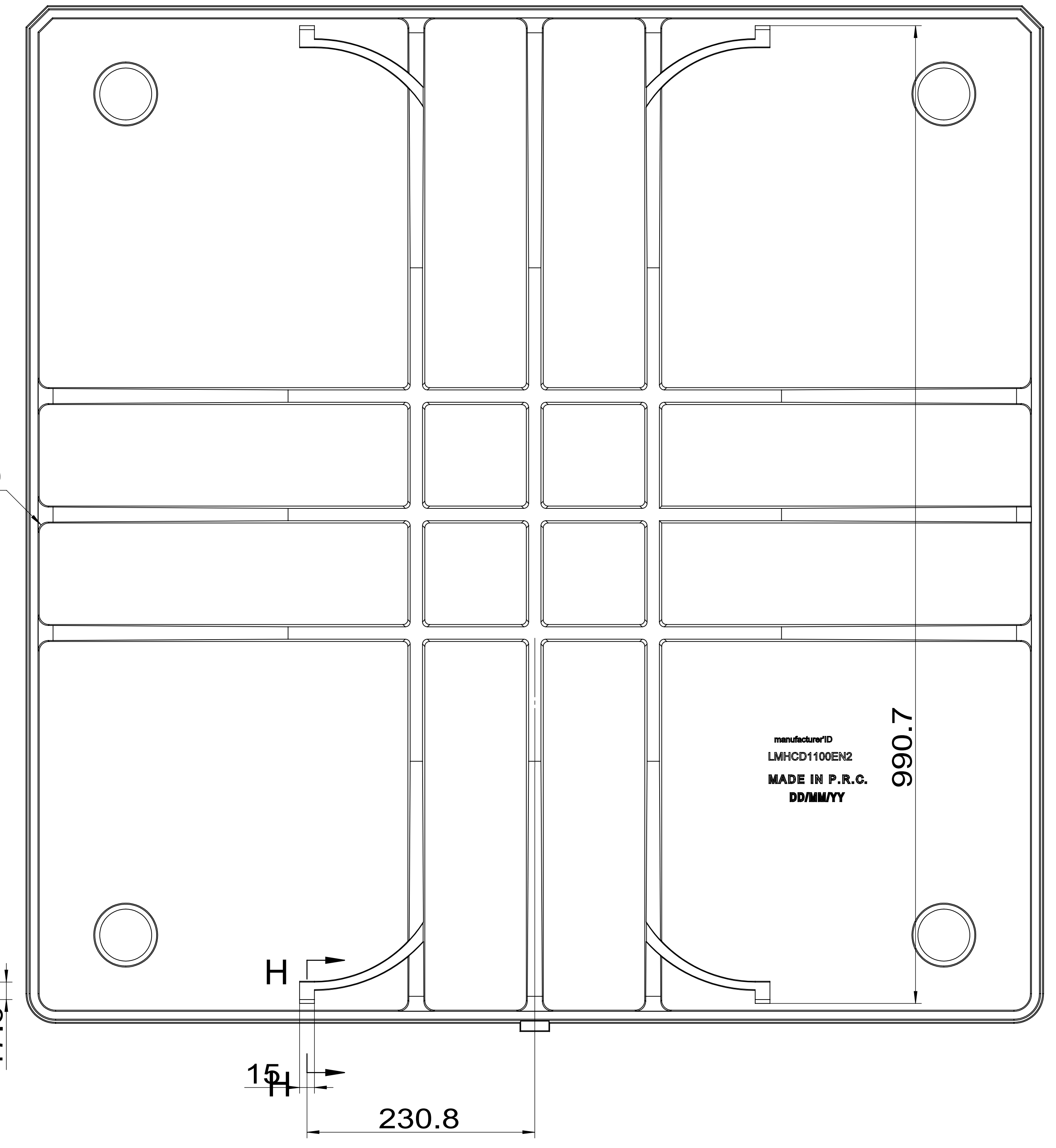
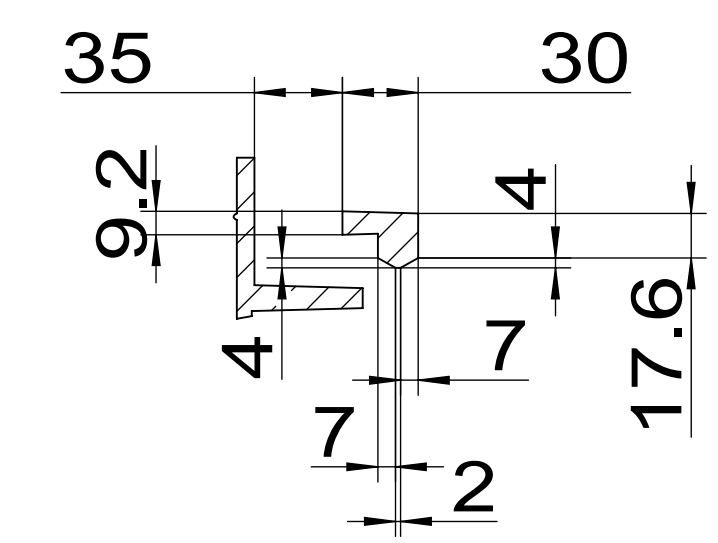
K-K
1 : 3




G-G
1 : 3



H-H
1 : 3



MATERIAL	GJS500-7	WEIGHT/kg	113	CLASS	EN124-2 D400	SCALE	MARK:
						SIZE	CERTIFICATE NO. /
						1095X1095X95	PRODUCT CODE
						NAME	L-LGSMEN-420L
						ITEM CODE	
						DESIGN DATE	2017/6/28