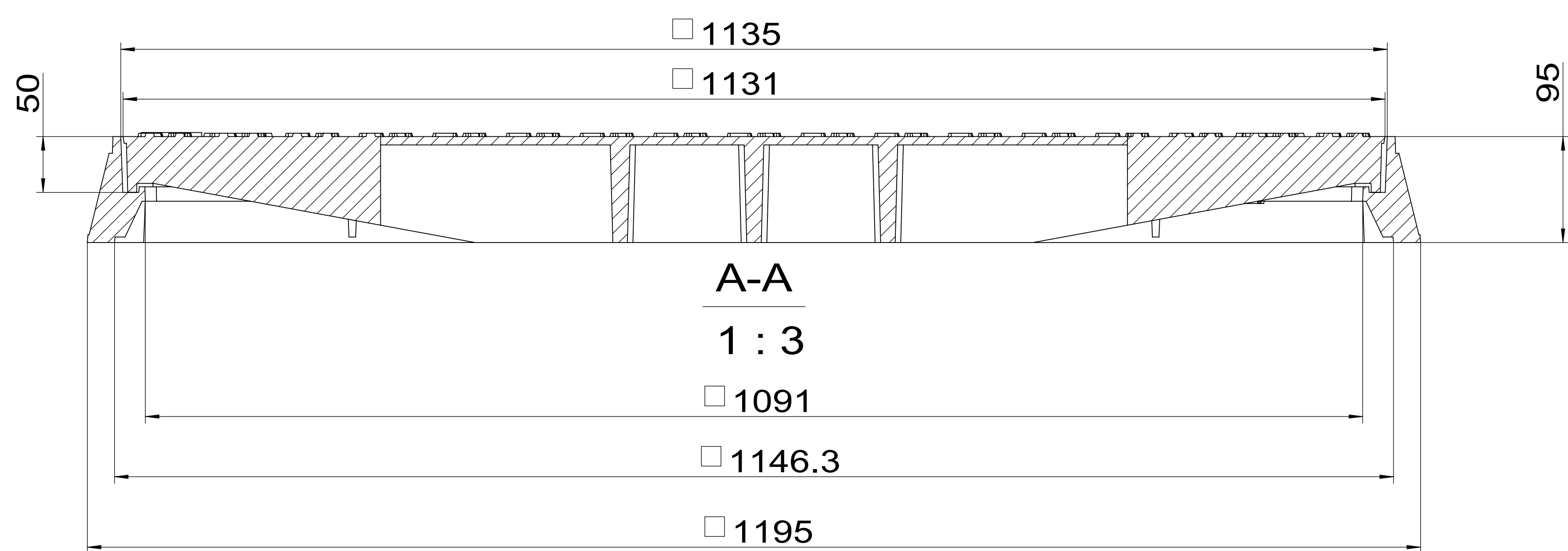
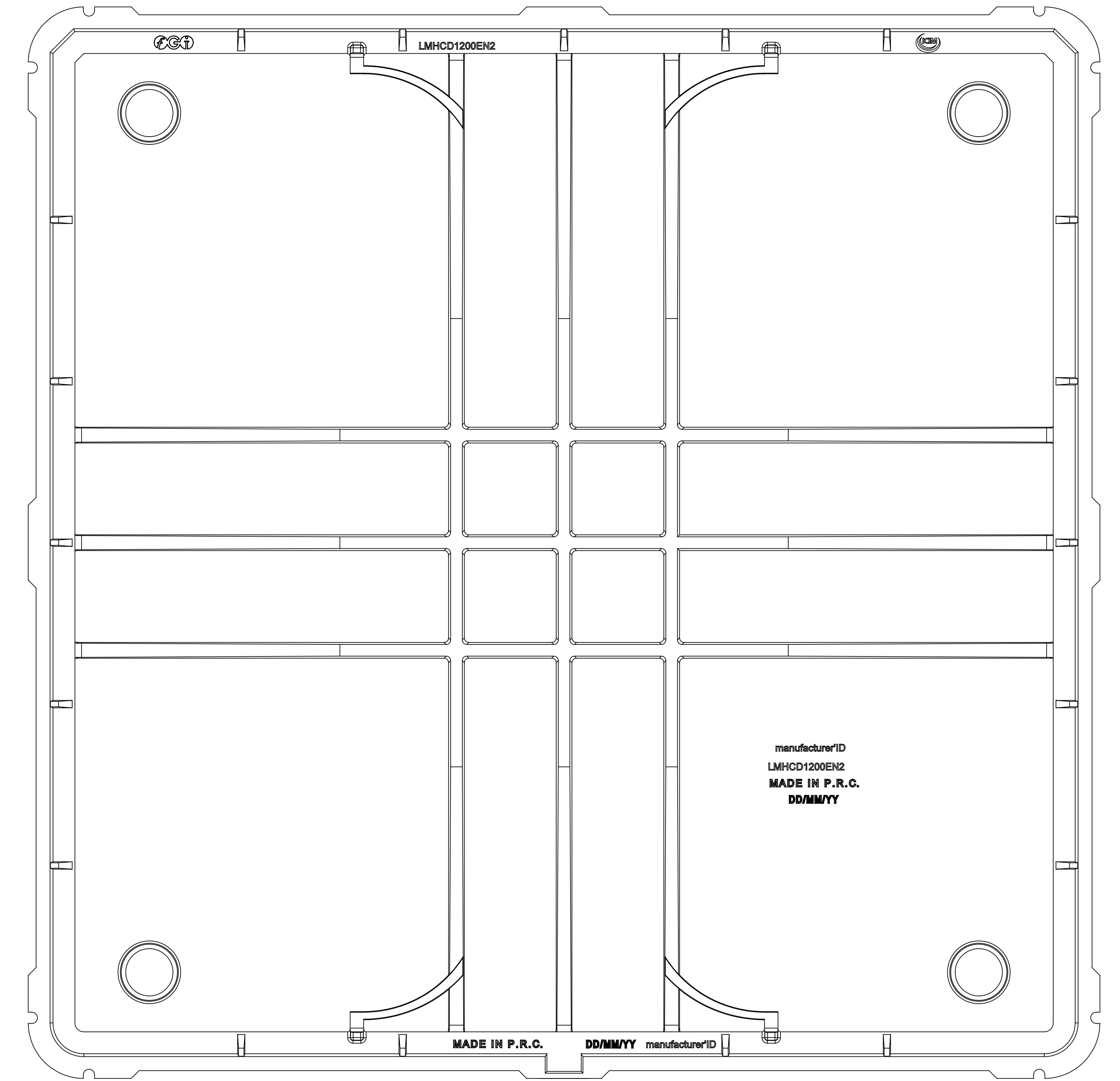


B-B
1 : 3



A-A
1 : 3

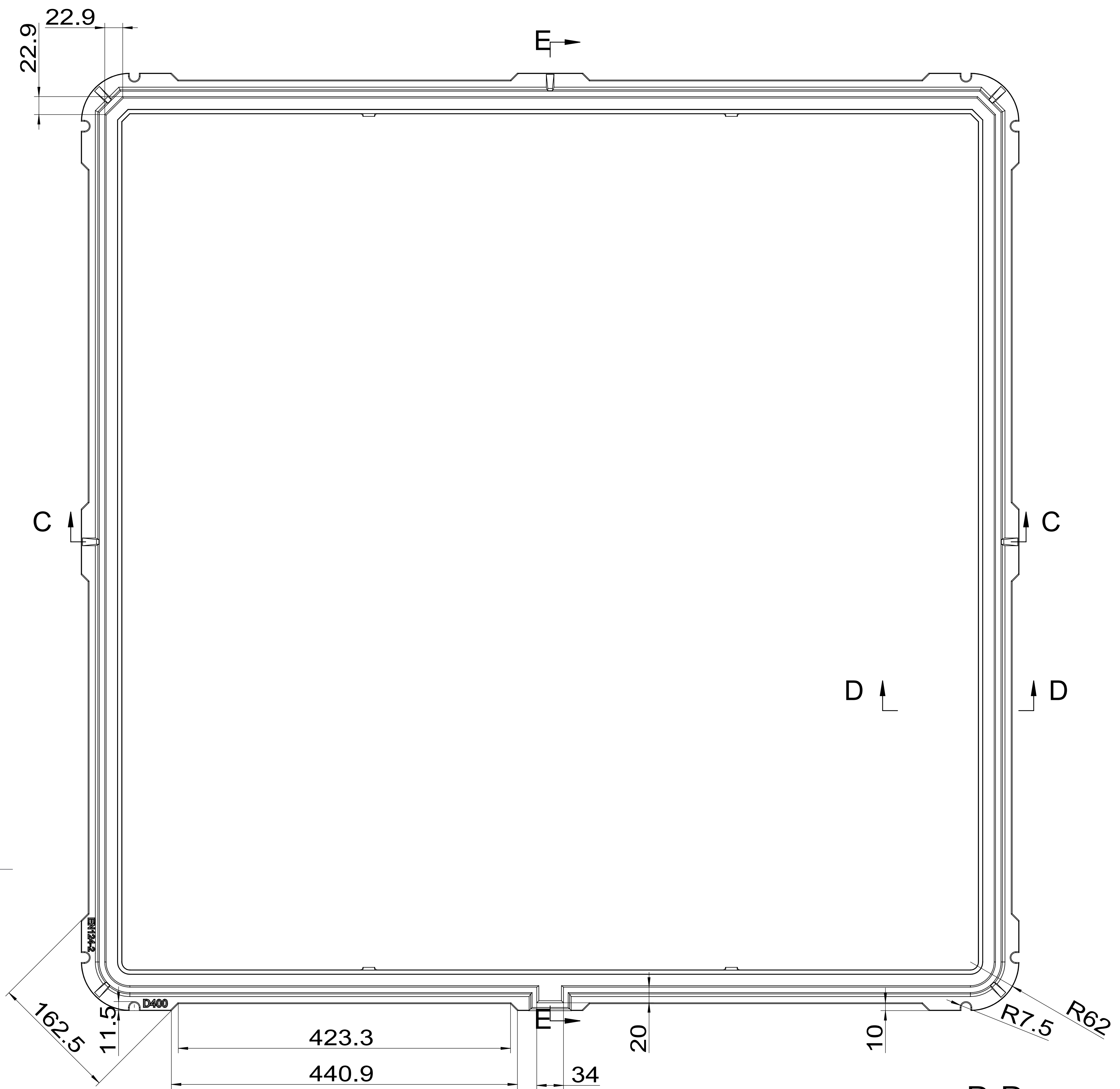
Technical requirement

1. pattern draft is 1-2° of main beams ,cover ,grids, frame side.
2. pattern draft is 5-10° of assistive beams ,gird holes ,outside.
3. pattern draft is 15° of surface patterns ,mark, logo.
4. casting radius which aren't been marked is R1-R3.

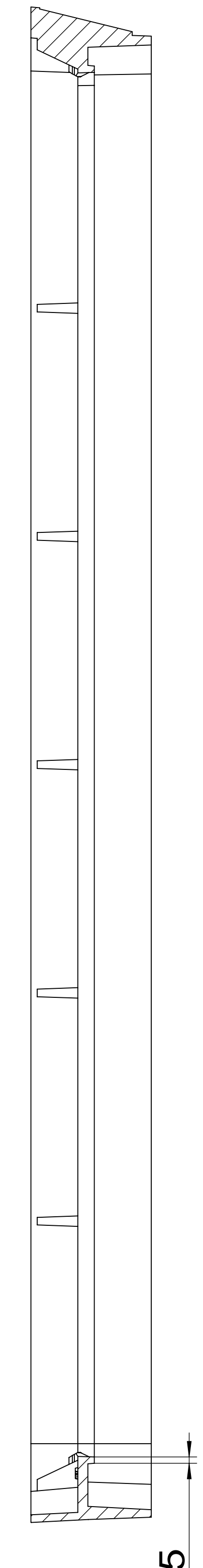
General Dimension Tolerance		General Weight Tolerance	
According To ISO 8062-CT10		Tolerance(%)	
		±5%	

MATERIAL	GJS500-7	WEIGHT/kg	170kg	CLASS	EN124-2 D400	SCALE	MARK:
						SIZE	CERTIFICATE NO. /
						1195X1195X95	PRODUCT CODE
						NAME	
						L-LGSMEN-430L	
				ITEM CODE			
				DESIGN DATE			
				2017/6/28			
				EDITION			
				0			
				SHEET			
				1/3			

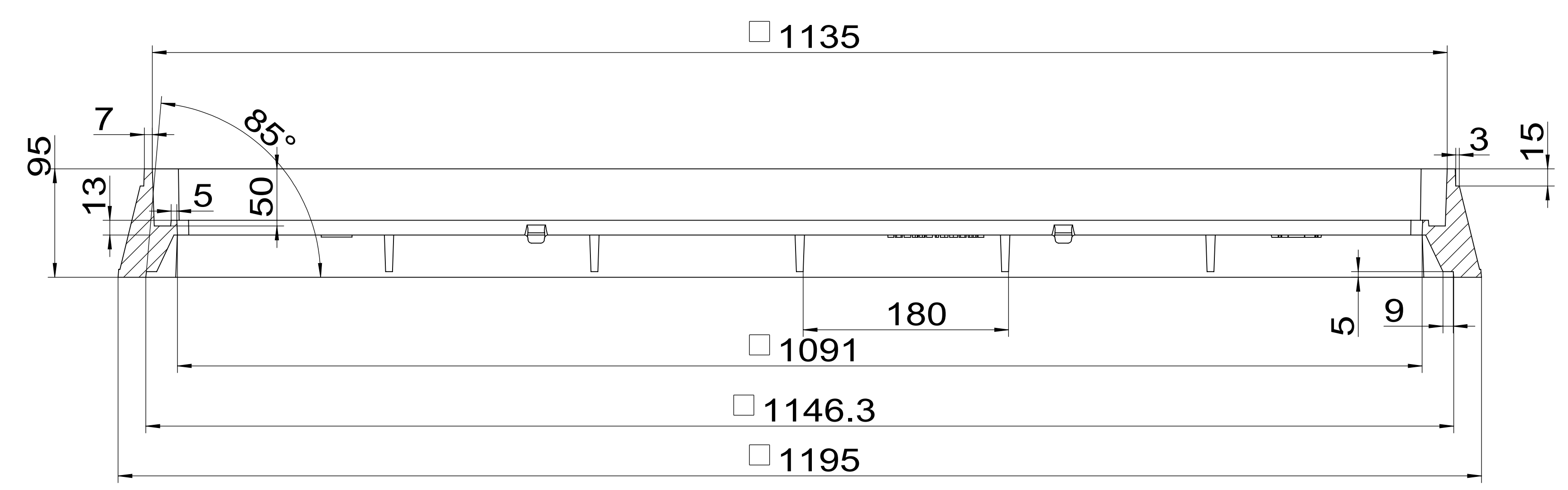
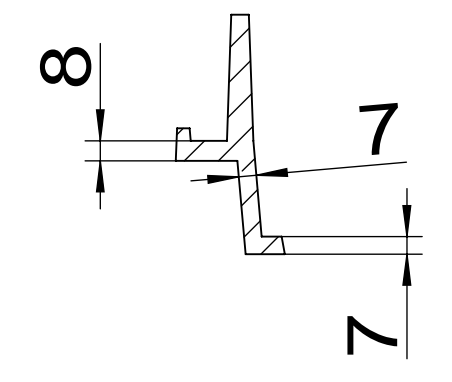




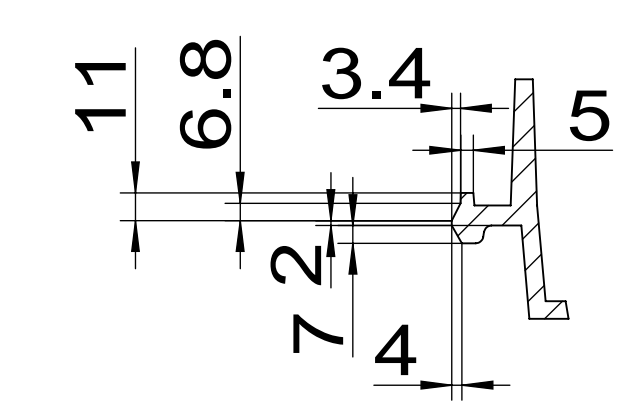
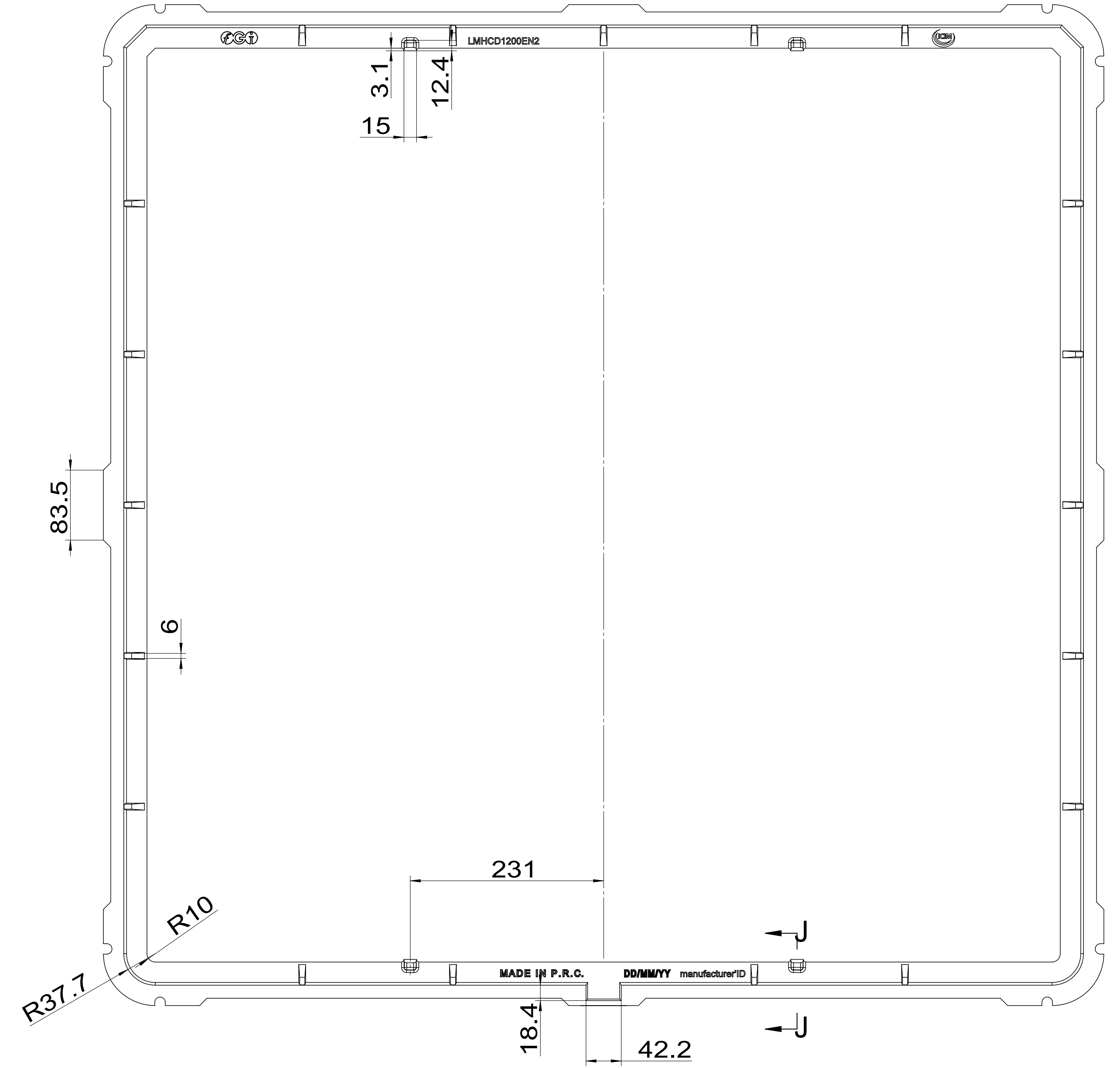
E-E
1 : 3



D-D
1 : 3



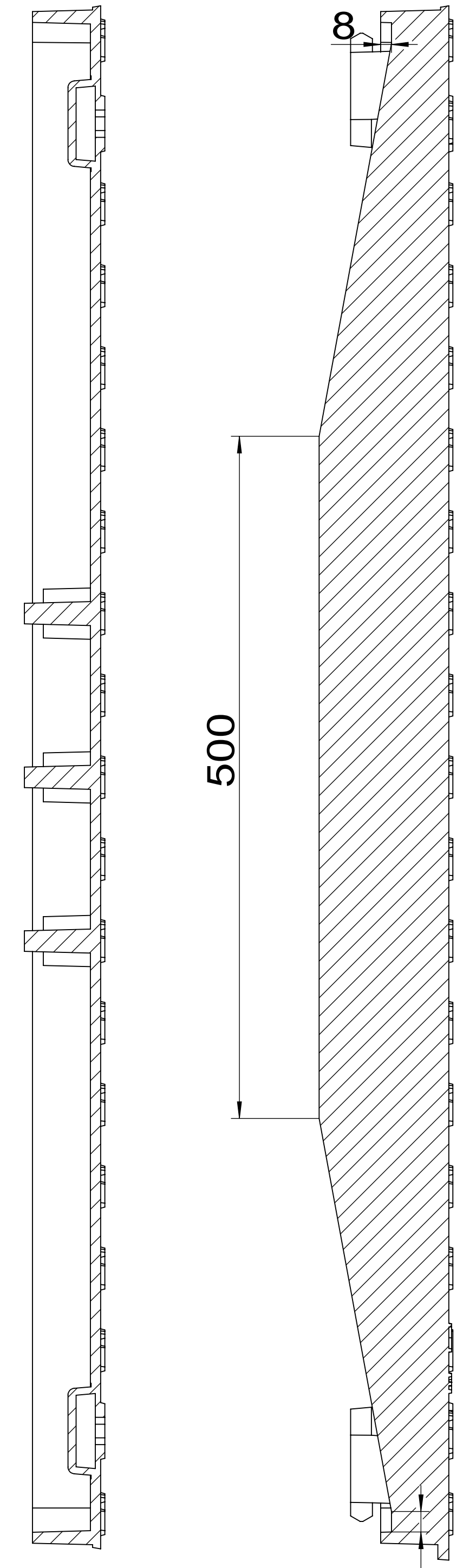
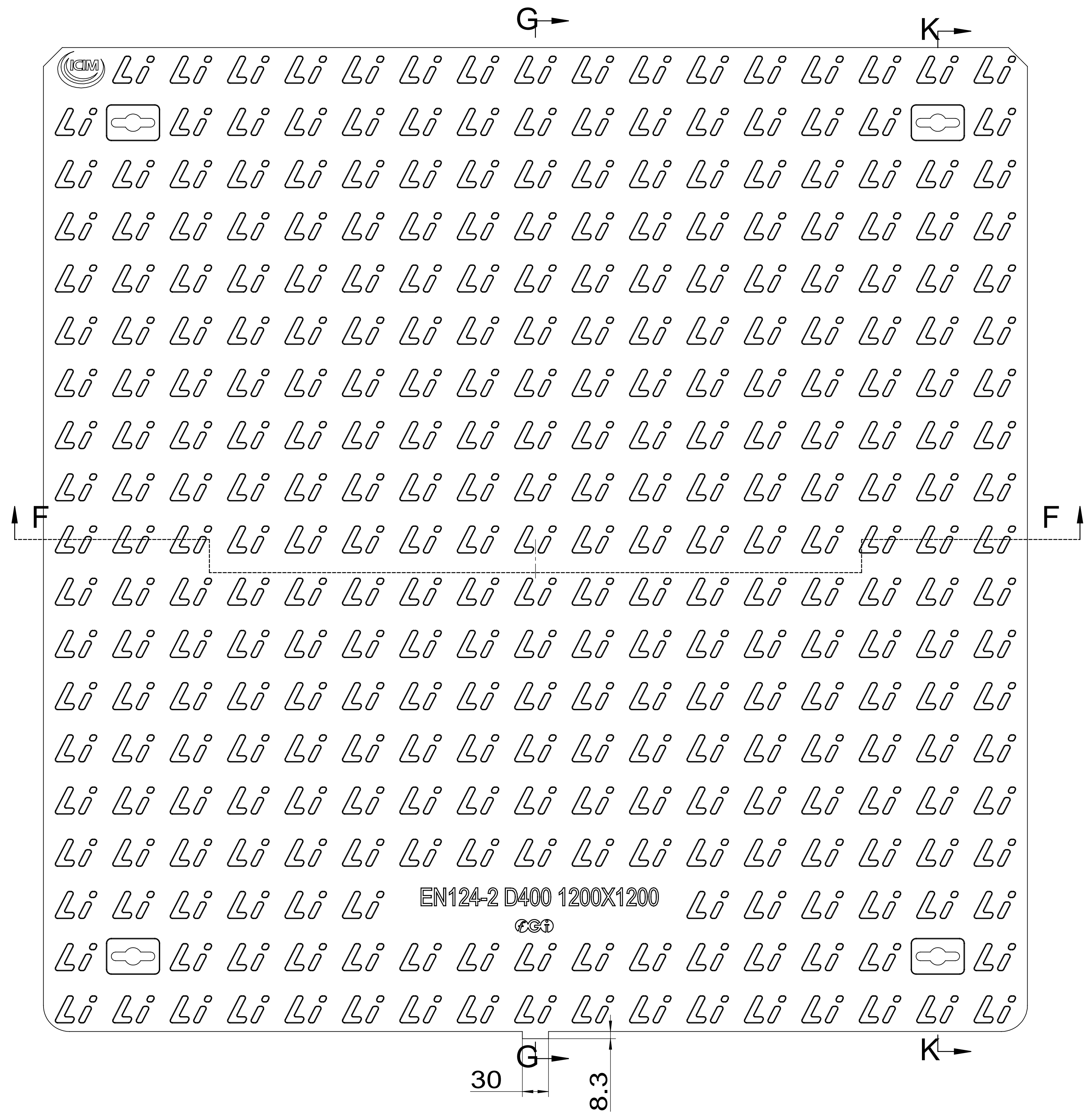
C-C
1 : 3



J-J
1 : 3

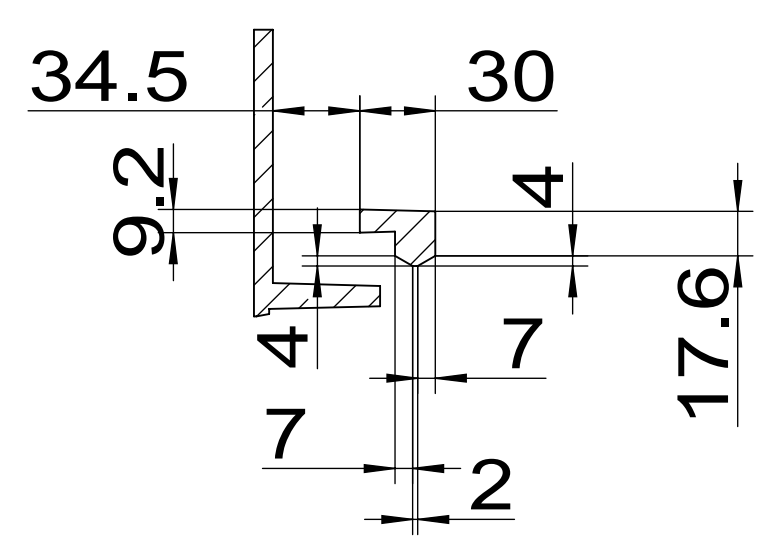
MATERIAL	GJS500-7	WEIGHT/kg	35kg	CLASS	EN124-2 D400	SCALE	MARK:
						SIZE	CERTIFICATE NO. /
						1195X1195X95	PRODUCT CODE
						NAME	
						ITEM CODE	L-LGSMEN-430L
						DESIGN DATE	EDITION
						2017/6/28	0
							SHEET
							2/3



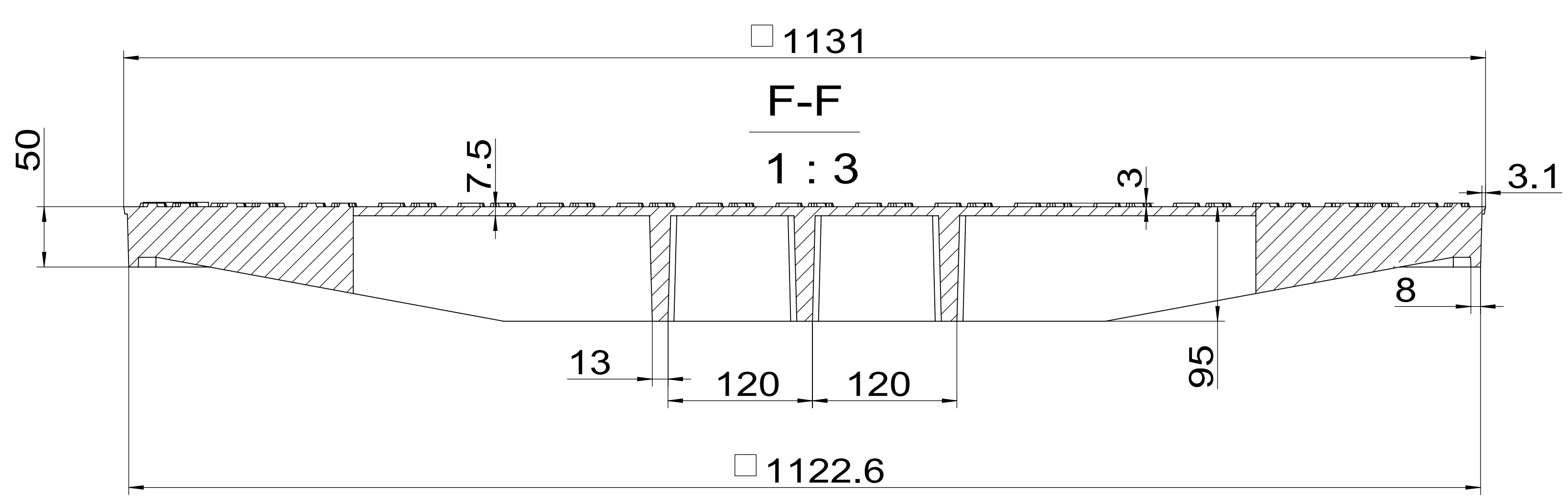
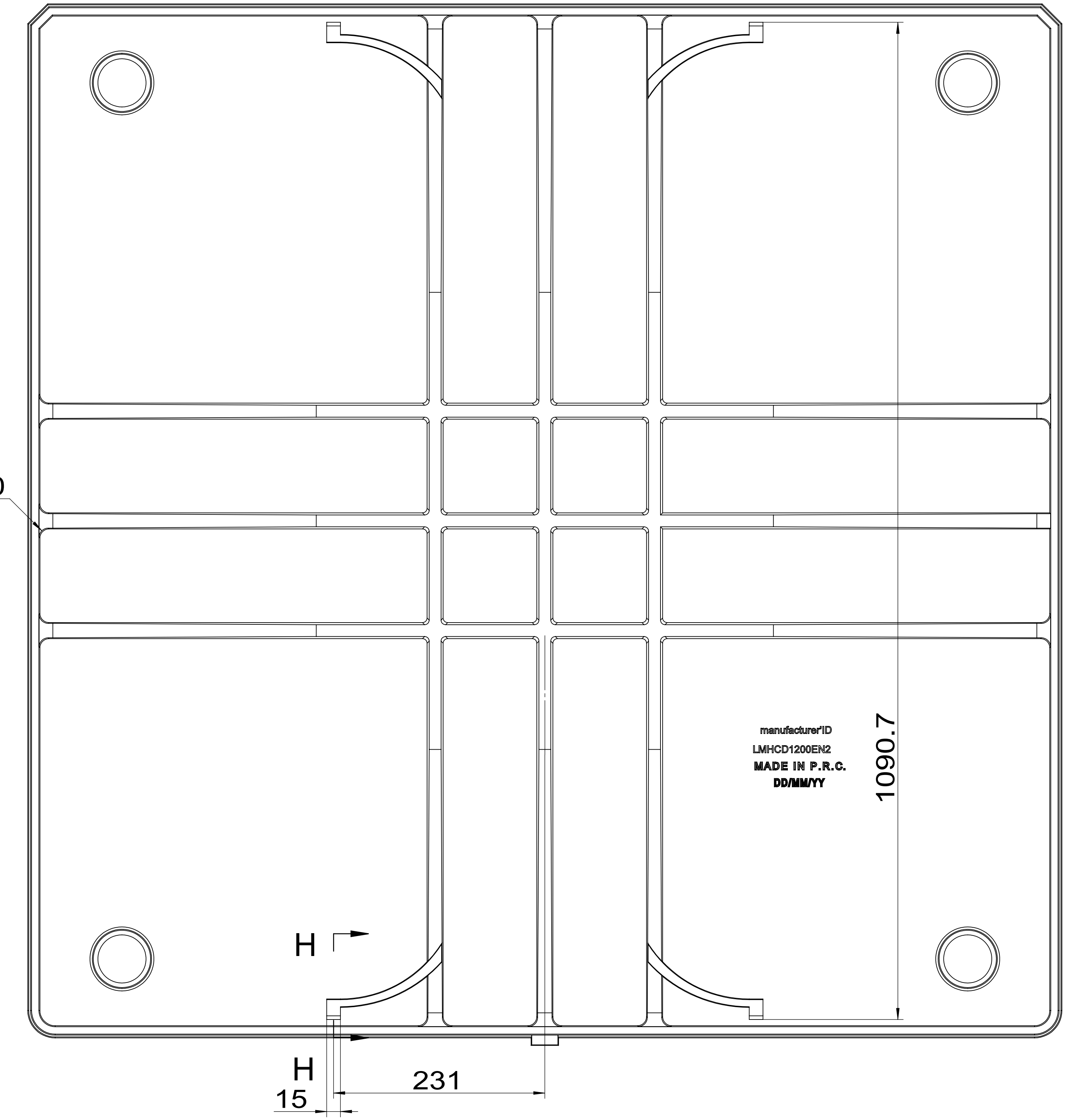


K-K
1 : 3

G-G
1 : 3



H-H
1 : 3



F-F
1 : 3

MATERIAL	GJS500-7	WEIGHT/kg	135kg	CLASS	EN124-2 D400	SCALE	MARK:
						SIZE	CERTIFICATE NO. /
						1195X1195X95	PRODUCT CODE
						NAME	L-LGSMEN-430L
				ITEM CODE			
				DESIGN DATE	2017/6/28	EDITION	0
						SHEET	3/3