

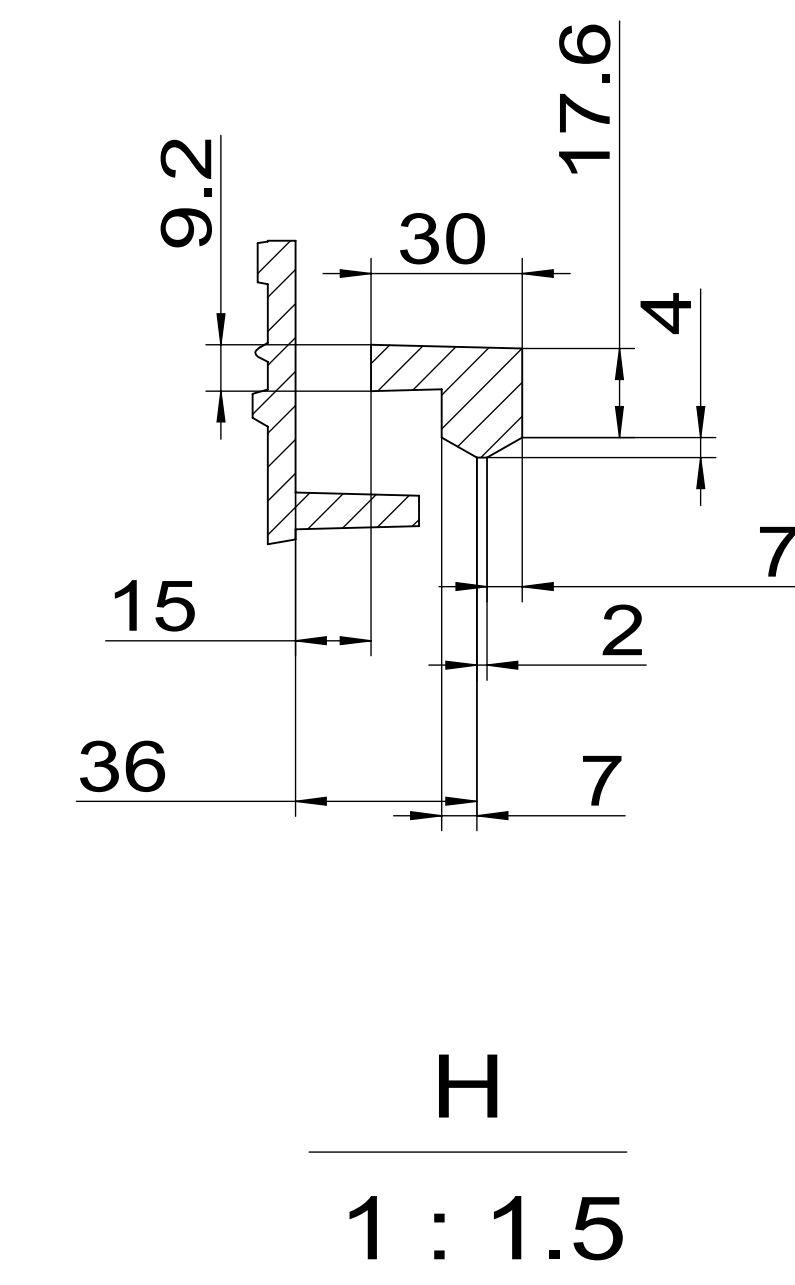
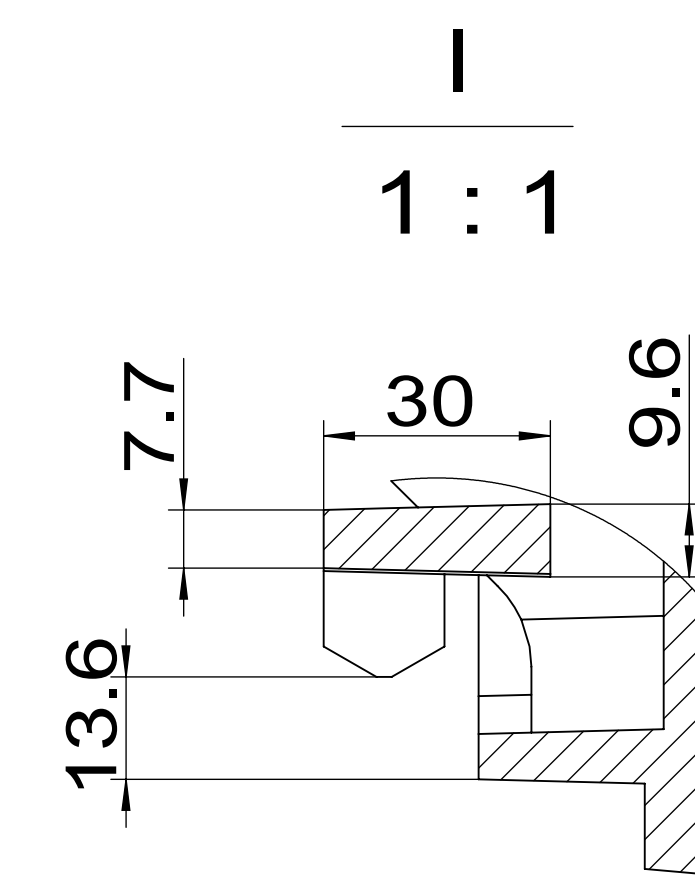
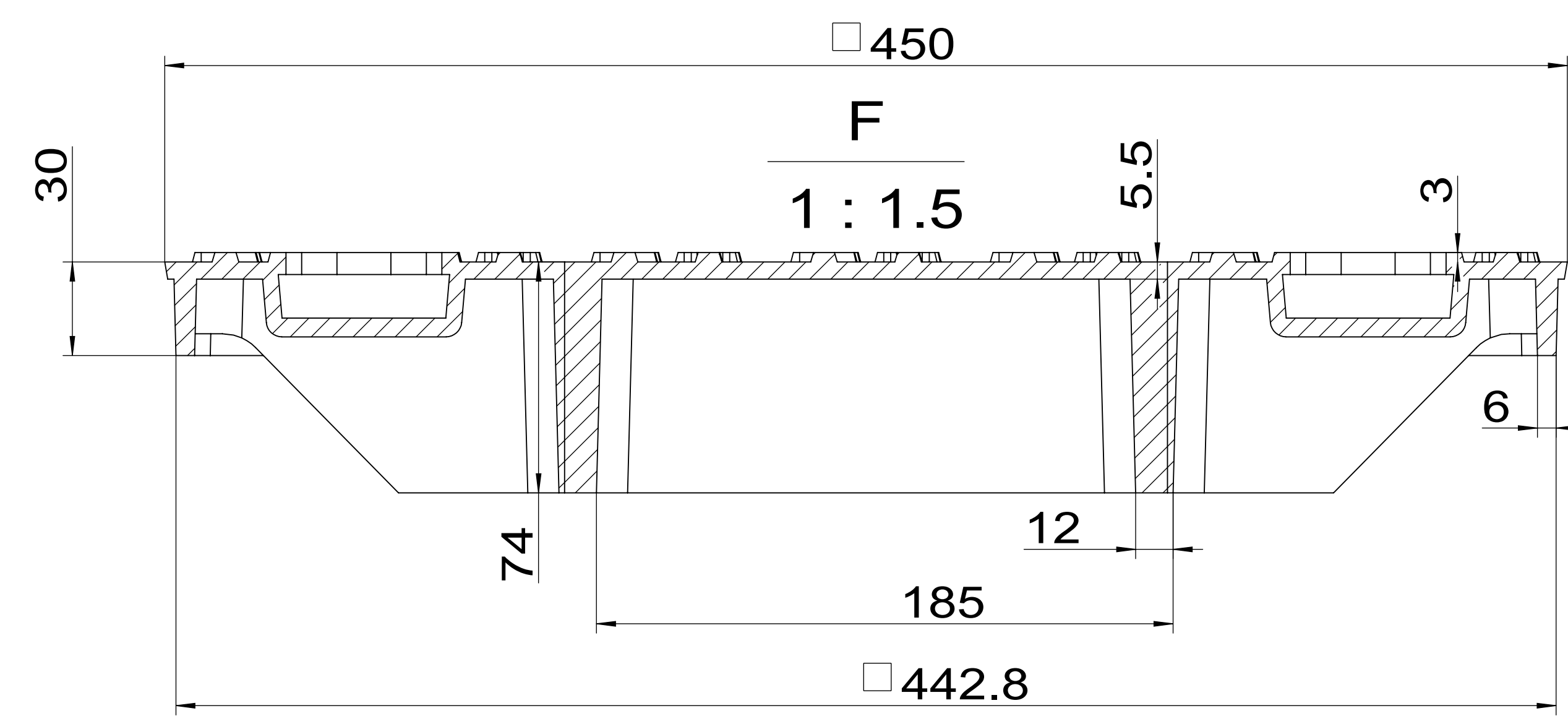
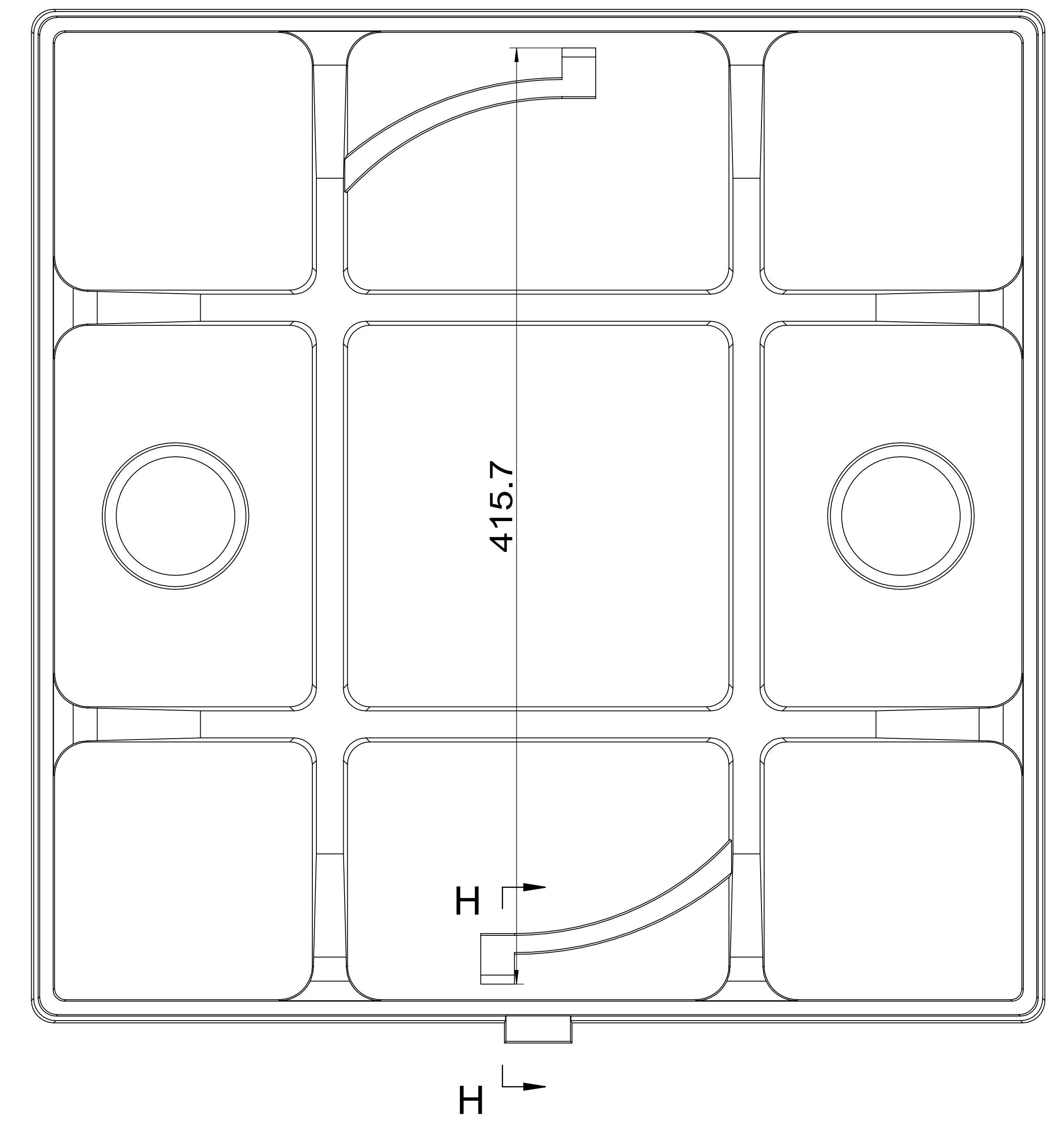
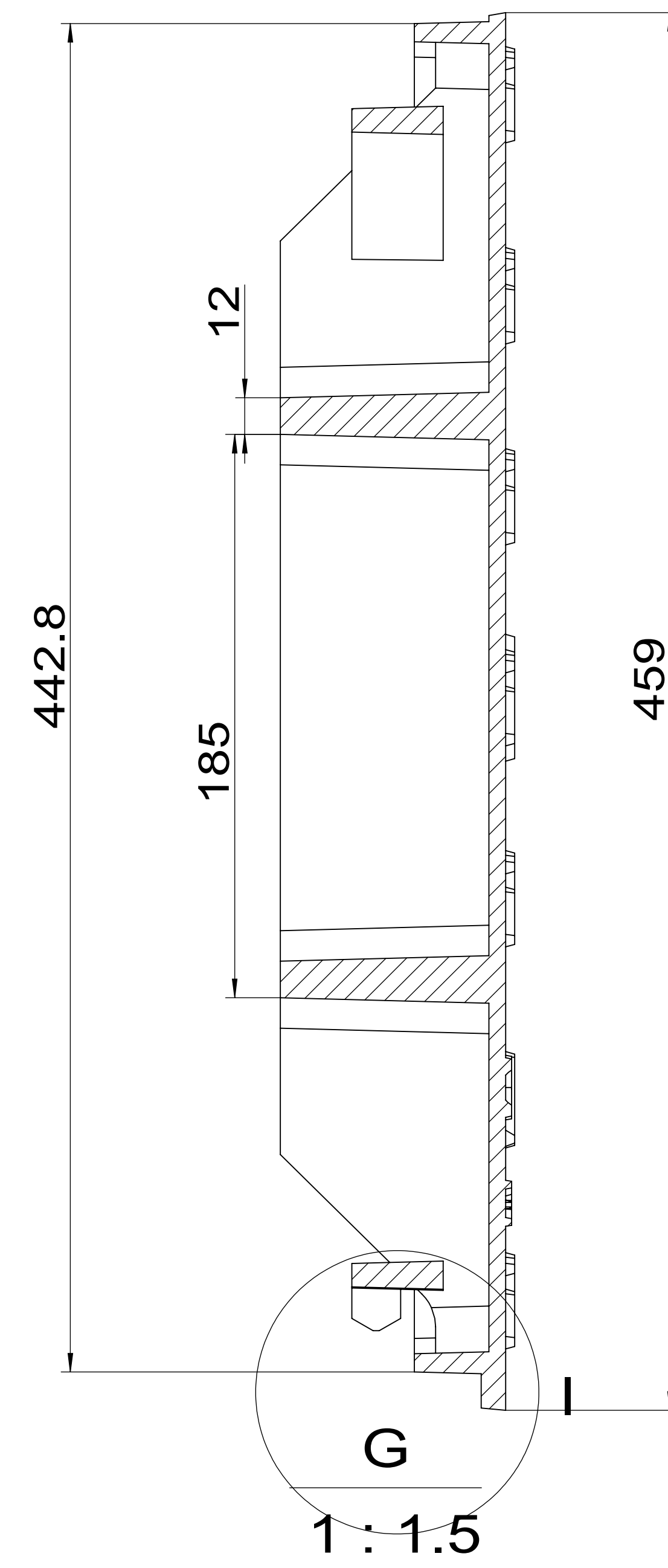
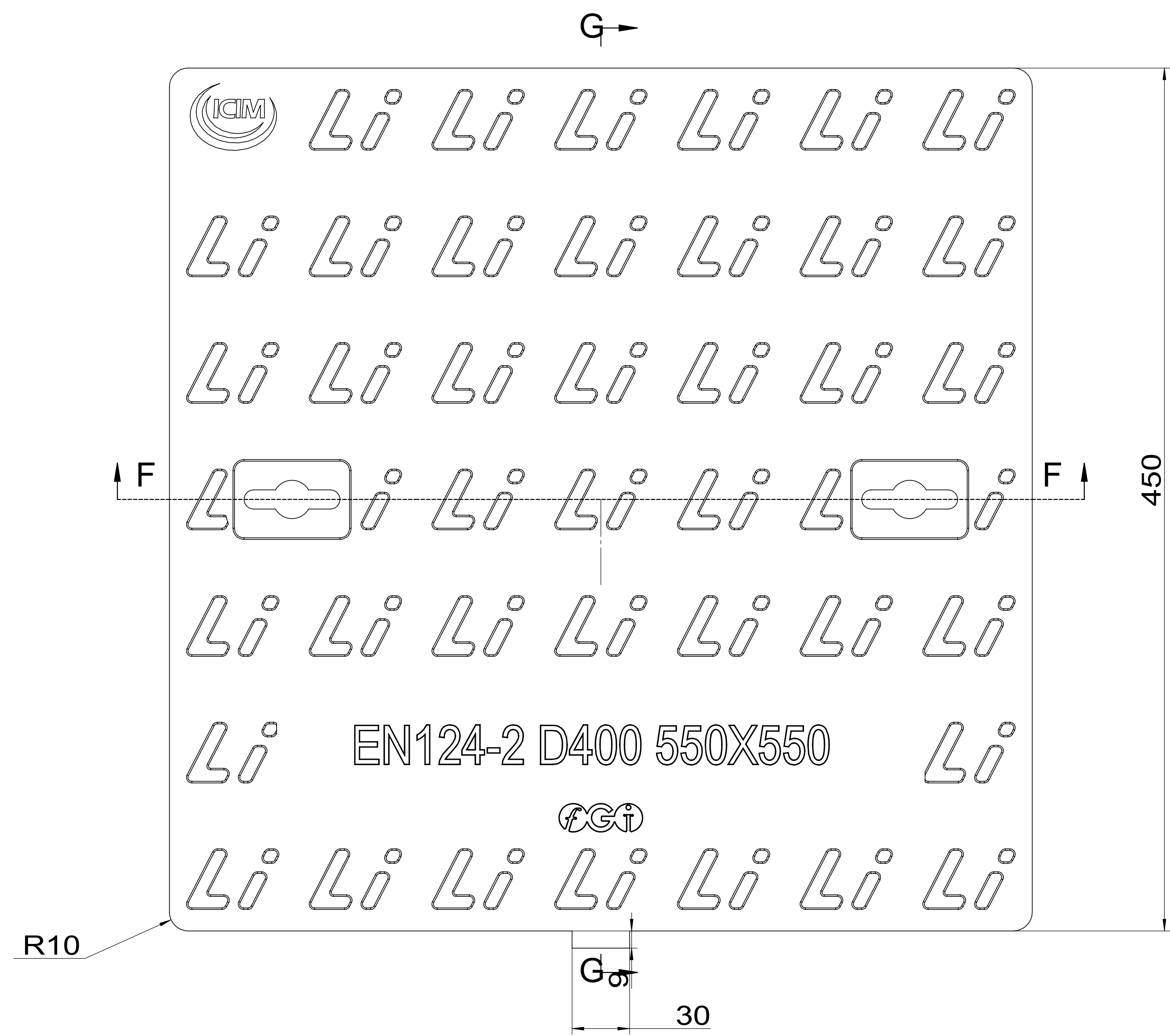
Technical requirement

1. pattern draft is 1-2° of main beams ,cover ,grids, frame side.
2. pattern draft is 5-10° of assistive beams ,gird holes ,outside.
3. pattern draft is 15° of surface patterns ,mark, logo.
4. casting radius which aren't been marked is R1-R3.

General Dimension Tolerance
According To ISO 8062-CT10

General Weight Tolerance
Tolerance(%)
±5%

MATERIAL	GJS500-7	WEIGHT/kg	32.3kg	CLASS	EN124-2 D400	SCALE	MARK:
DESIGNED BY	Sid	CHECKED BY		APPROVED BY - DATE		SIZE	CERTIFICATE NO. / PRODUCT CODE
						NAME	L-LGSMEN-455L
						ITEM CODE	
				DESIGN DATE	2017/6/28	EDITION	0
						SHEET	1/3



MATERIAL	GJS500-7	WEIGHT/kg	21.6kg	CLASS	EN124-2 D400	SCALE	MARK:
DESIGNED BY	Sid	CHECKED BY		APPROVED BY - DATE		SIZE	CERTIFICATE NO. / PRODUCT CODE
				ITEM CODE	L-LGSMEN-455L		
				DESIGN DATE	2017/6/28	EDITION	0